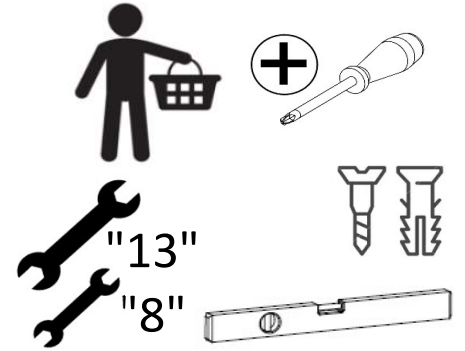
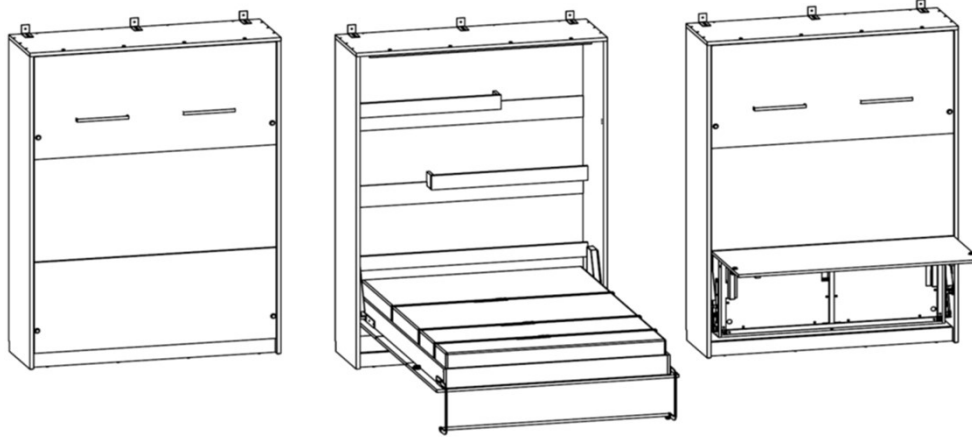


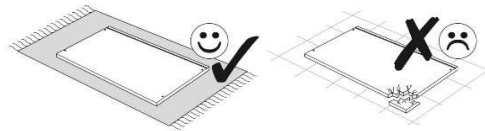
Important - before starting assembly, please read the instructions below.



Keep children and pets away during assembly, small parts can pose a choking hazard.
Dispose of packaging as indicated.
Use the furniture for its intended purpose.

To prevent scratching the product or the floor, the furniture should be assembled on a soft surface, such as a carpet.

Important:
The recommended maximum evenly distributed static load for the bed is 200kg.



IMPORTANT:

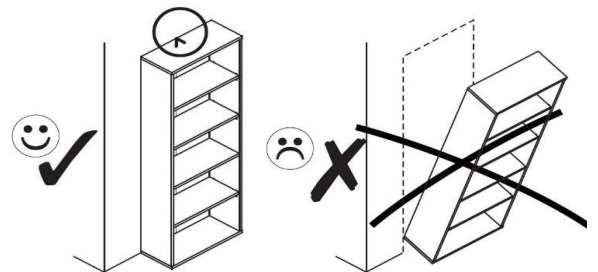
1. The bed has a lifting frame with high-pressure gas struts - risk of impact.
2. Exercise extreme caution when the FRAME IS NOT LOADED with a mattress:
 - THE FRAME MAY OPEN AUTOMATICALLY
 - IT MAY STRIKE WITH GREAT FORCE WHEN CLOSING OR OPENING
3. DURING DAILY USE, ALWAYS OPEN THE FRAME WITH THE MATTRESS ON IT.
4. Make sure that children and pets are away from the bed during closing and opening.
5. Raise and lower the frame only with the mattress - without additional weight. The gas struts equipped on the frame are designed for the weight of the frame with the mattress.



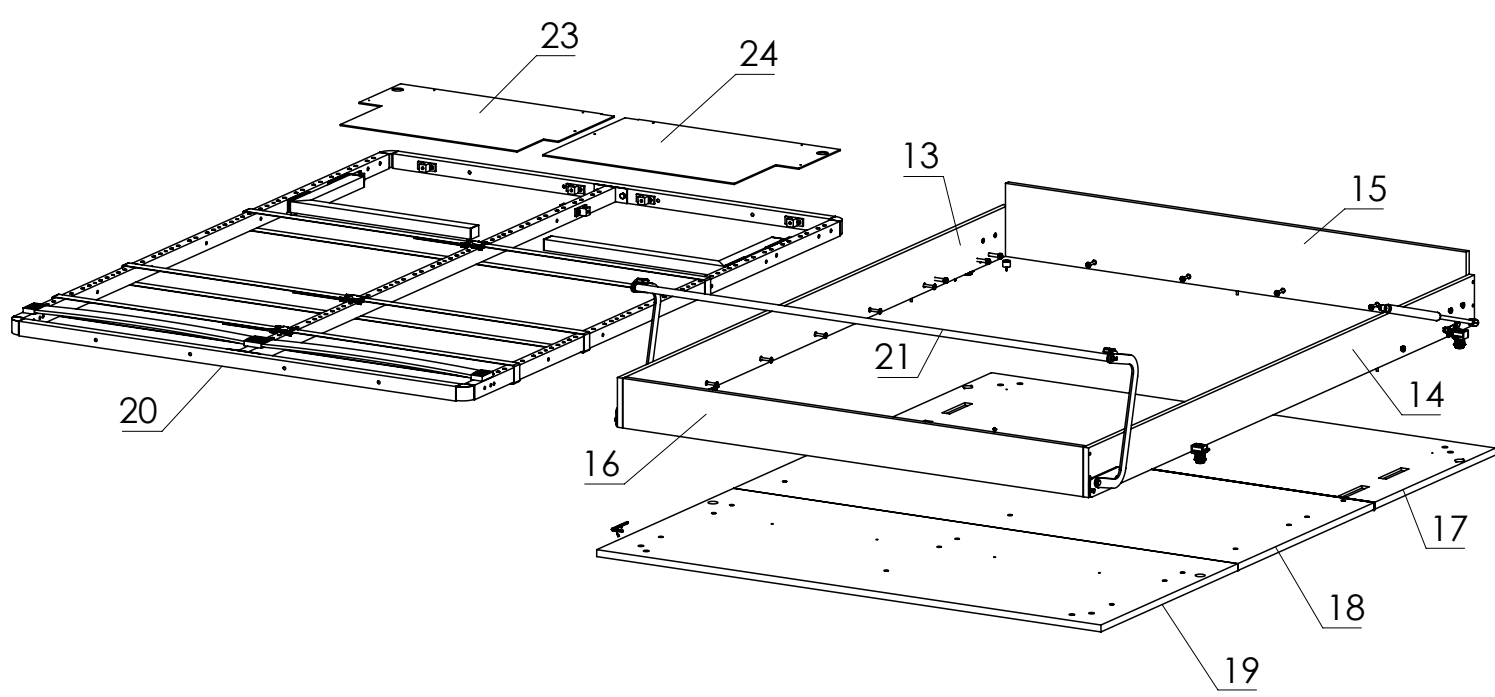
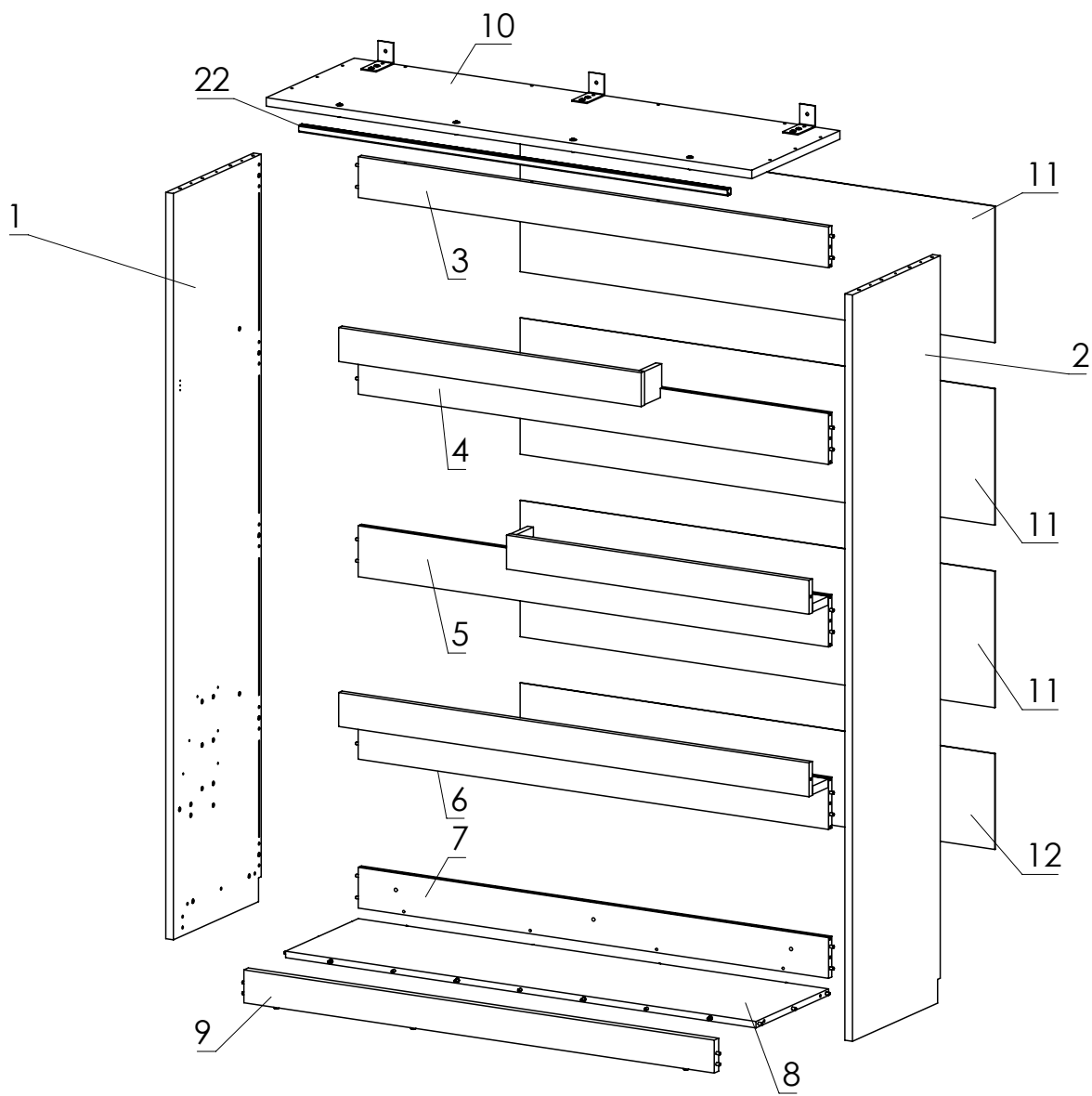
Assembly Instructions - Wall Mounting Options



1. When drilling into the wall, always check for hidden wires, elements, etc.
2. Determine the type of wall to which you want to attach the furniture in order to obtain fasteners suitable for your wall type.
3. Ensure that the screws and plugs used are suitable for mounting. In case of doubt, consult a specialized store or professional in the field.
4. Wall mounting and screw connections should be periodically checked (every 3 months) to ensure that the elements do not loosen.
5. Incorrect assembly can lead to accidents.
6. For plasterboard walls, we recommend professional installation. Recommended anchor screws for plasterboard walls TOGGLER™ (they are twice as strong as standard screws).

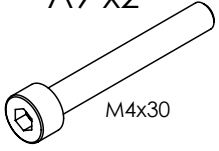


1



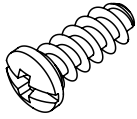
2

A9 x2

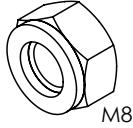


M4x30

A11 x12



A8 x10



M8

N17 x4



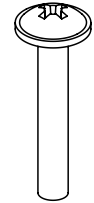
M6

A10 x2



M4

U31 x4



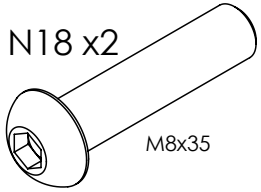
M4x25

Z27 x4



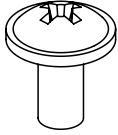
M4x20

N18 x2



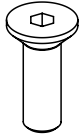
M8x35

B65 X4



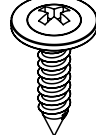
M6x12

B62 x32



M5x16

B70 x8



4x20

Z25 x8



4x16

B69 x16



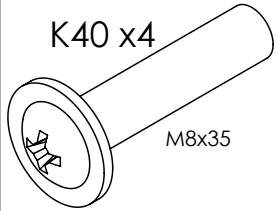
4x16

Z26 x8



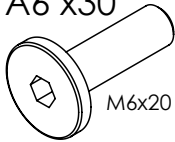
4x16

K40 x4



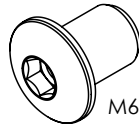
M8x35

A6 x30



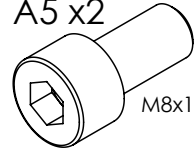
M6x20

K52 x6



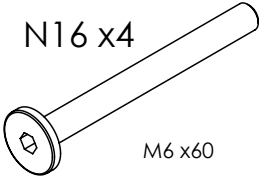
M6

A5 x2



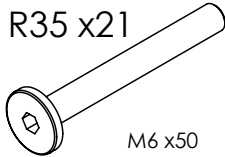
M8x16

N16 x4



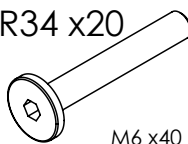
M6 x60

R35 x21



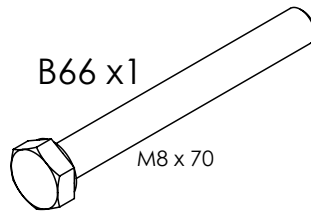
M6 x50

R34 x20



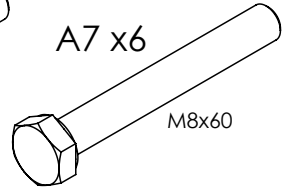
M6 x40

B66 x1



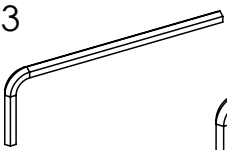
M8 x 70

A7 x6

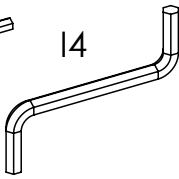


M8x60

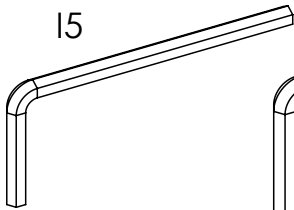
I3



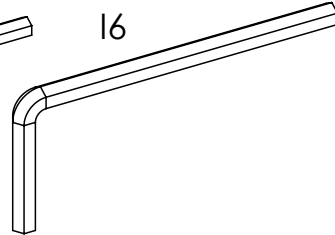
I4



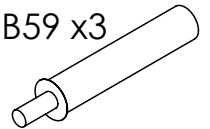
I5



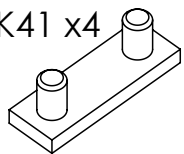
I6



B59 x3



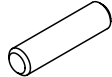
K41 x4



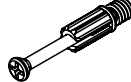
K42 x4



K43 x54



K44 x22



K45 x22



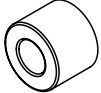
K46 x12



K47 x 10



B58 x2

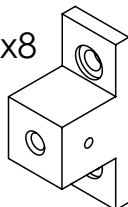


B67

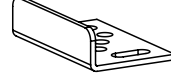


M8

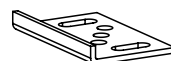
B68 x8



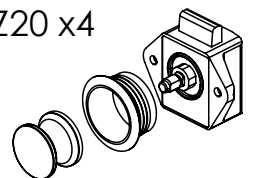
Z23 x2



Z24 x2

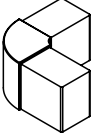


Z20 x4



3

R36.2 x4



R36.3 x 40



R36.4 x20



R36.5 x 40

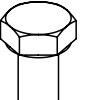


R36.6 x8



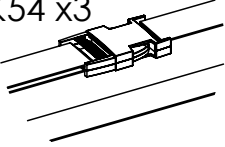
5x15

R36.7 x4

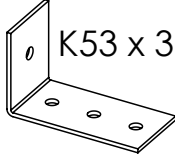


M8x20

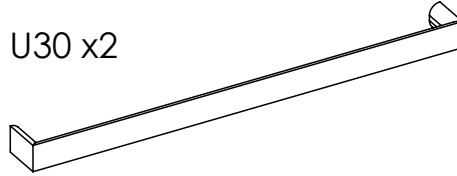
K54 x3



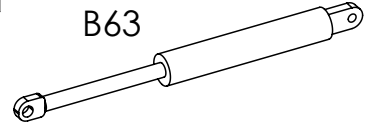
K53 x 3



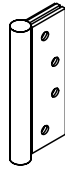
U30 x2



B63



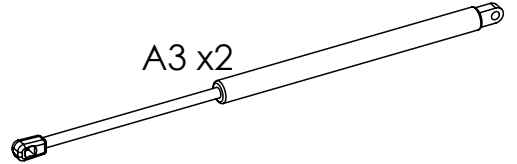
B60 x4



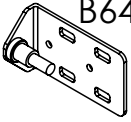
B61 x4



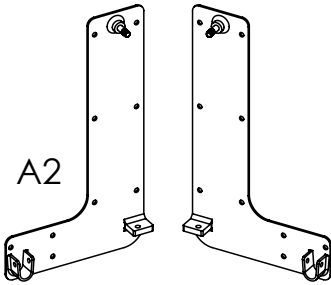
A3 x2



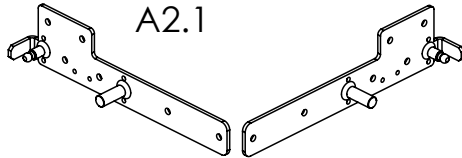
B64



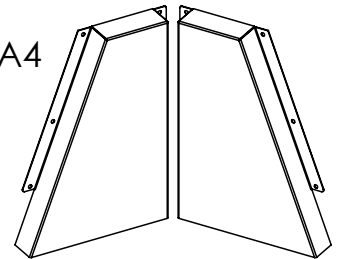
A2



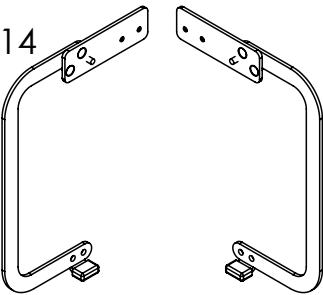
A2.1



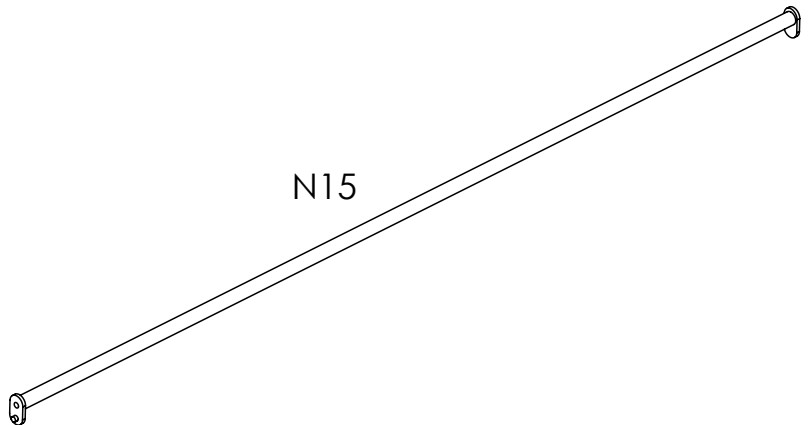
A4



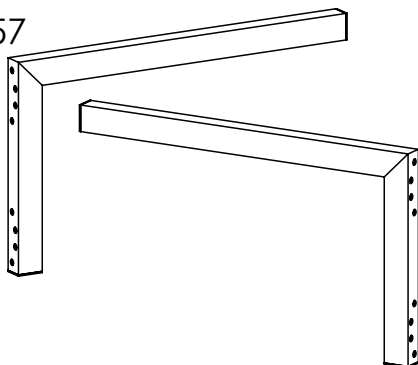
N14



N15

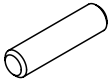


B57

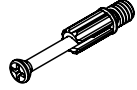


4

K43 x8



K44 x18

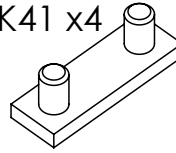


A6 x20

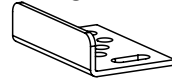


M6x20

K41 x4



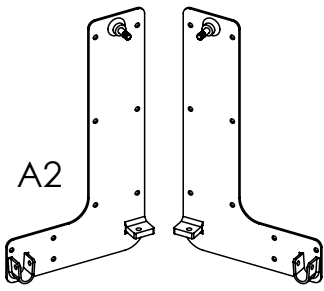
Z23 x2



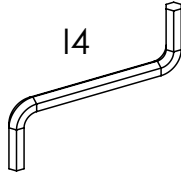
Z25 x6



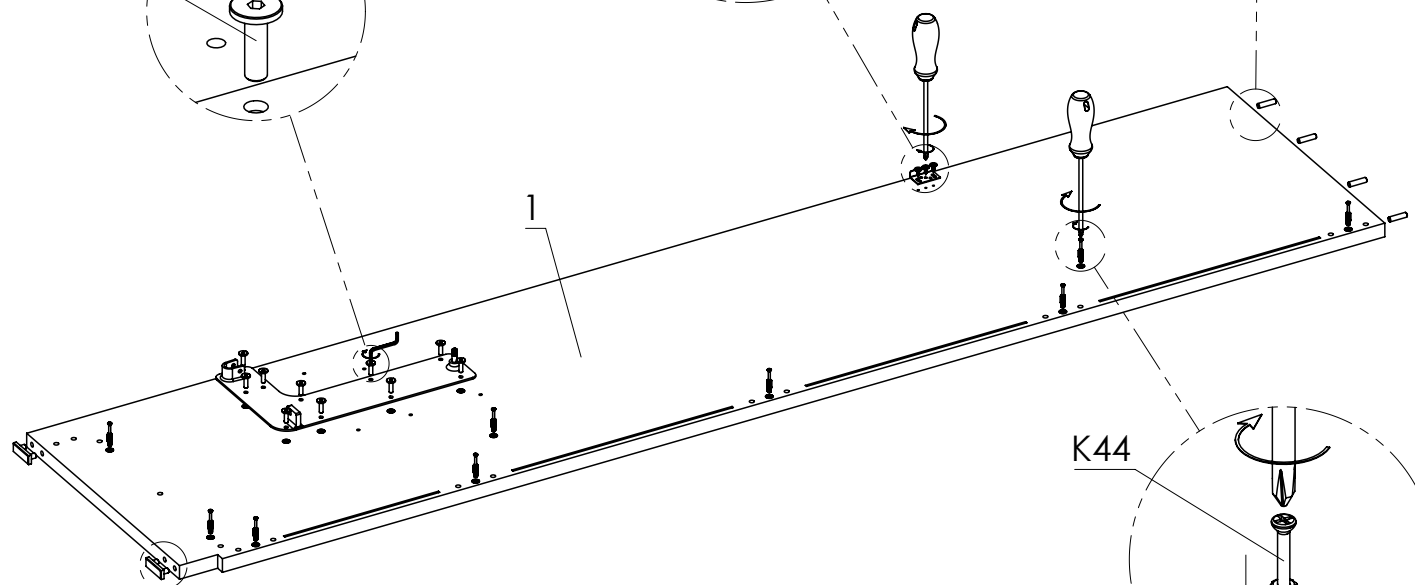
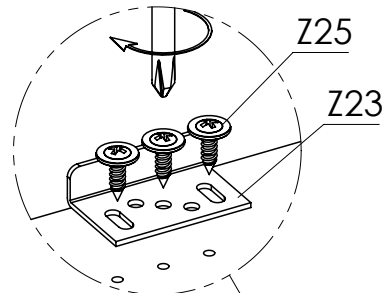
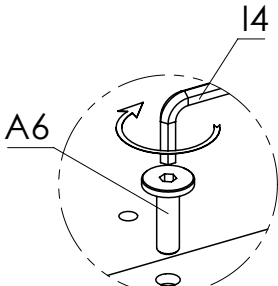
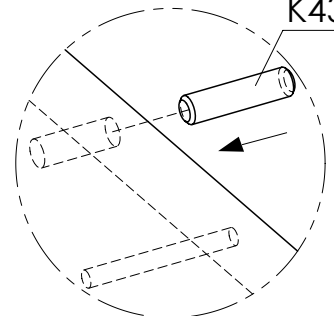
4x16



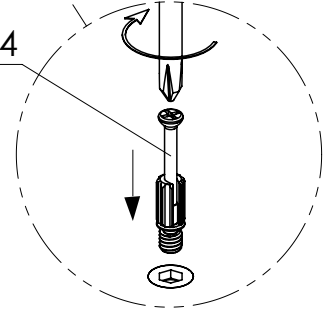
I4



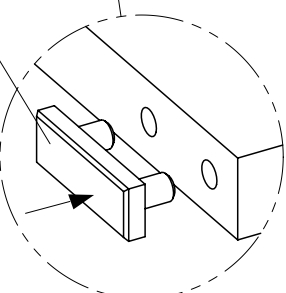
K43



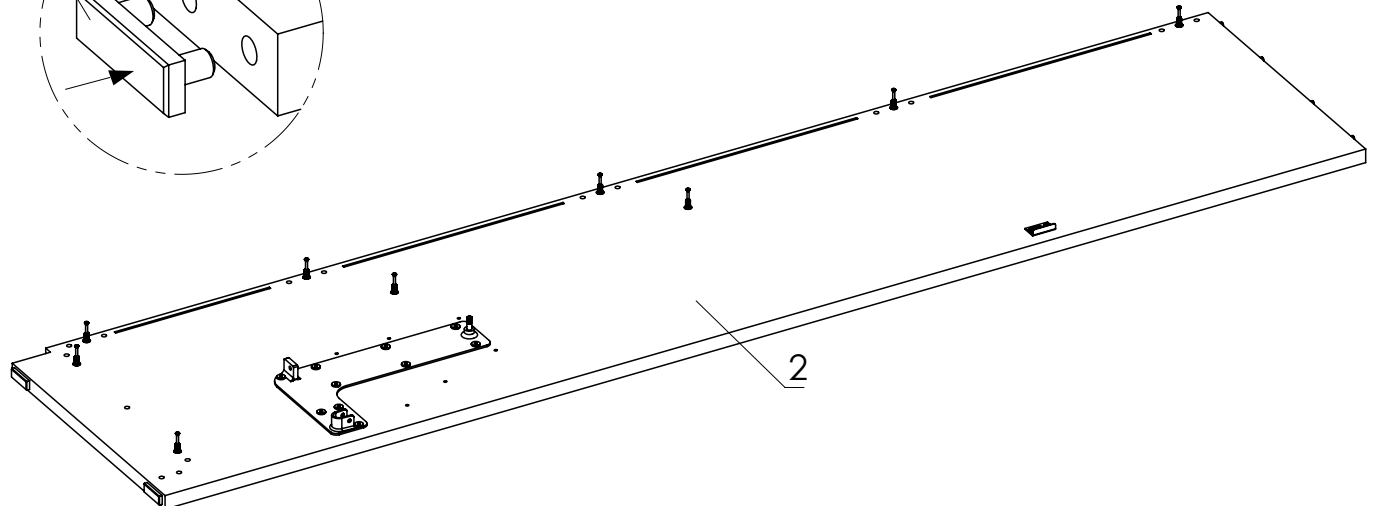
K44



K41



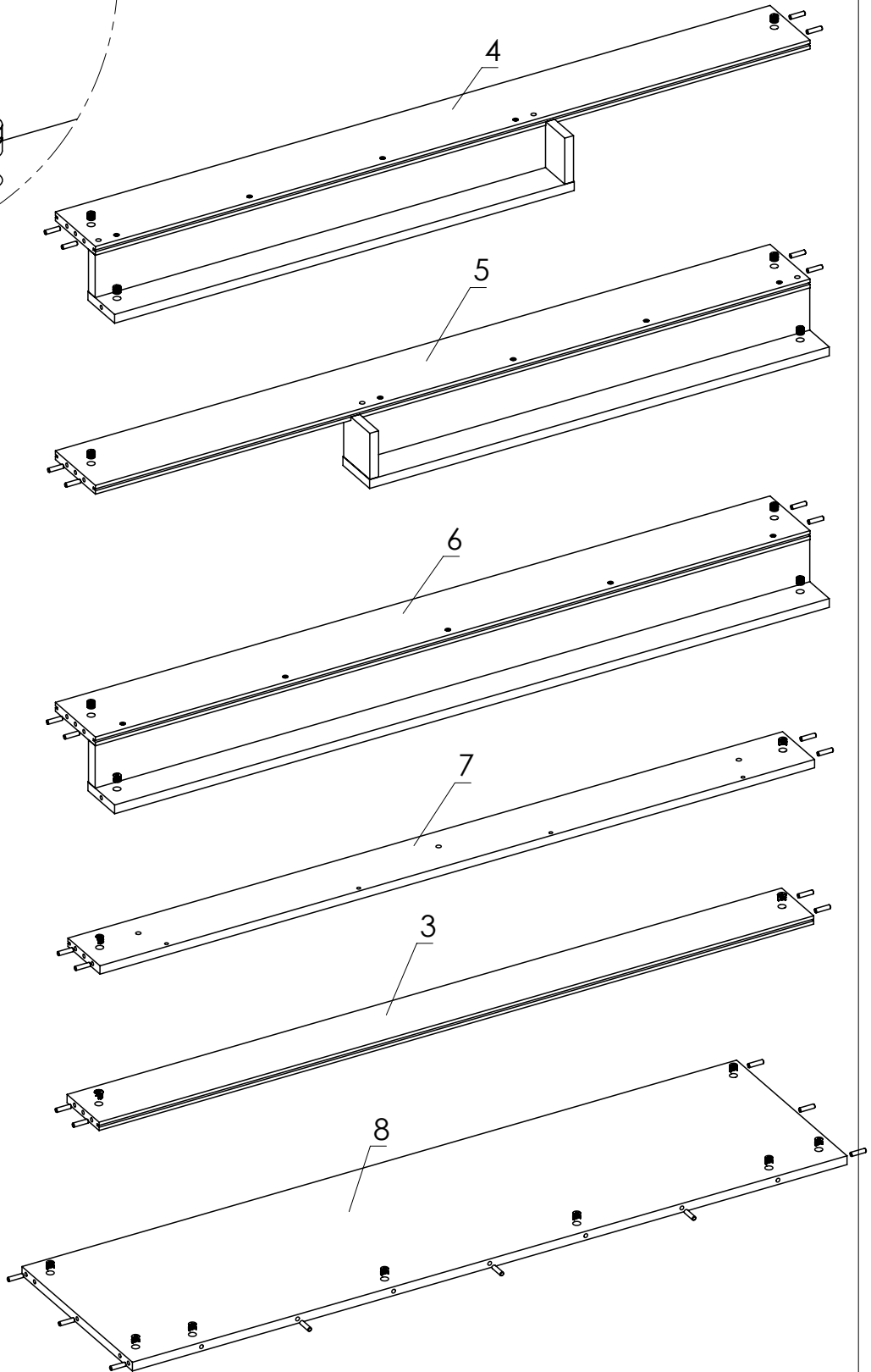
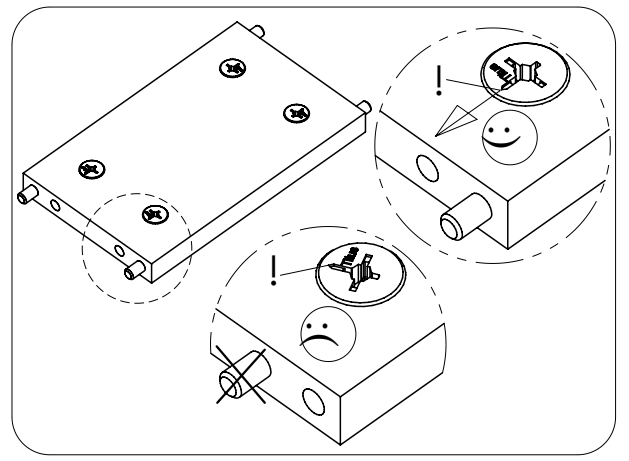
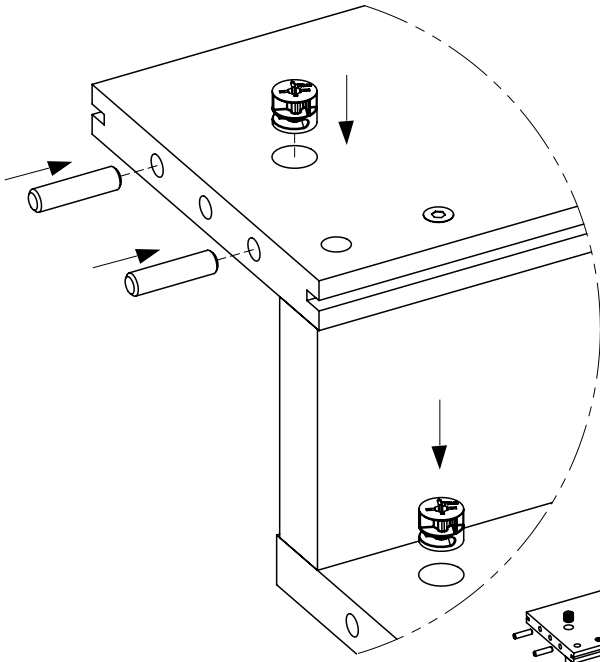
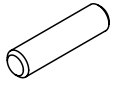
2



5

K43 x29

K45 x22



6

K52 x6

A6 x6

K53 x 3

K40 x4

K44 x4

K42 x4

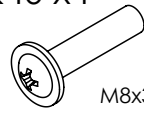
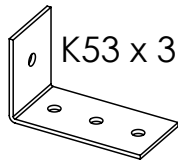
K43 x4



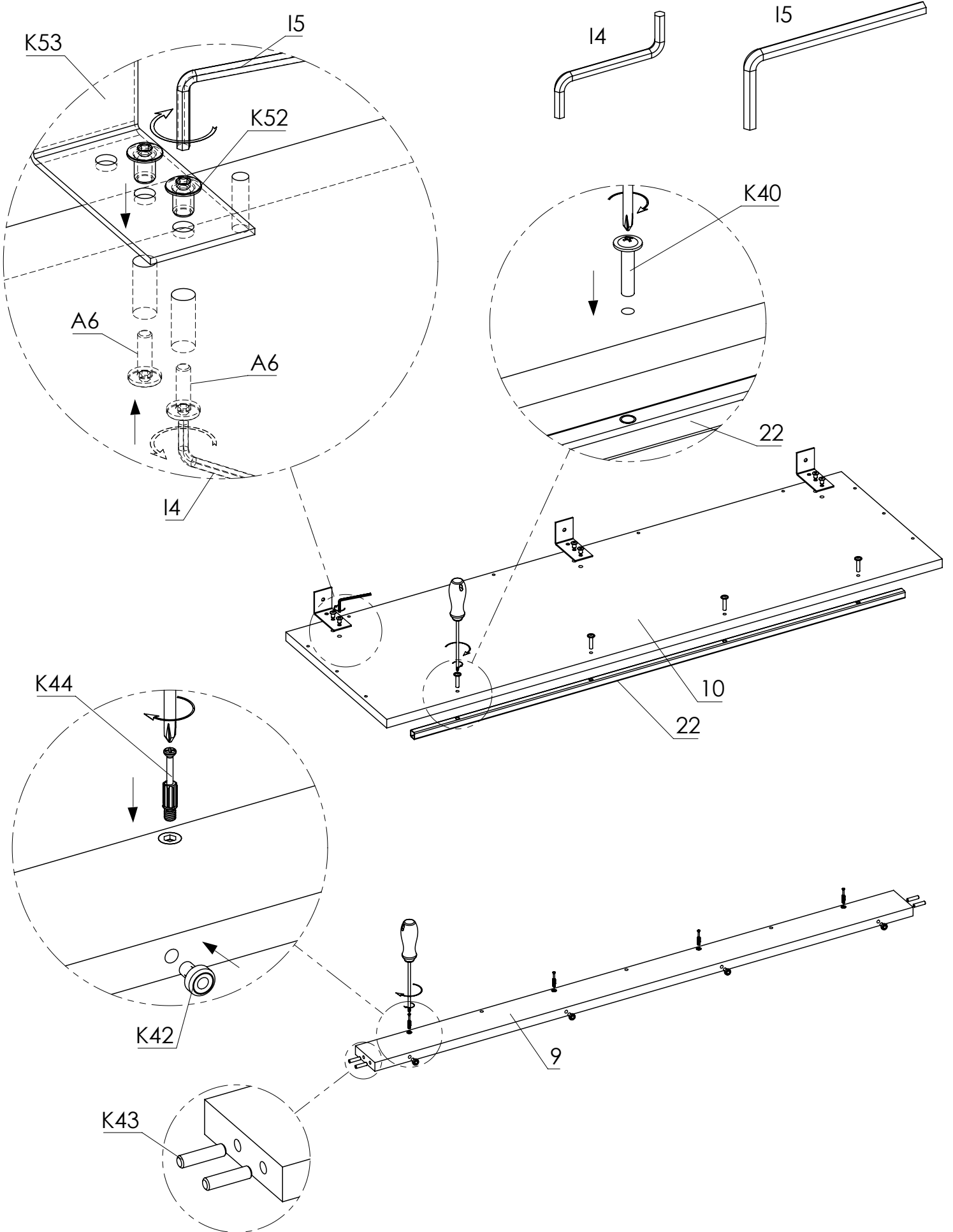
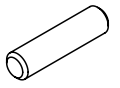
M6



M6x20



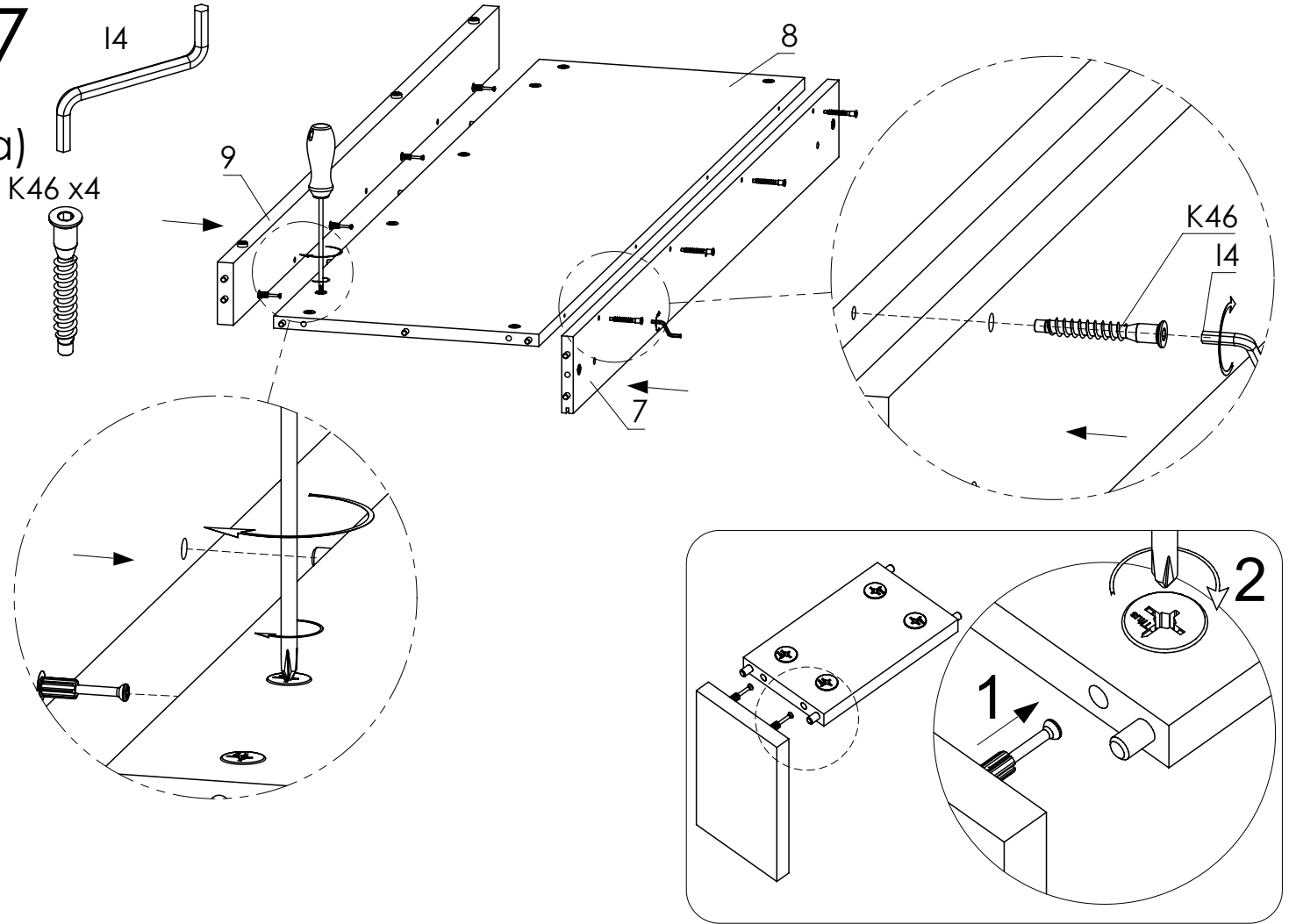
M8x35



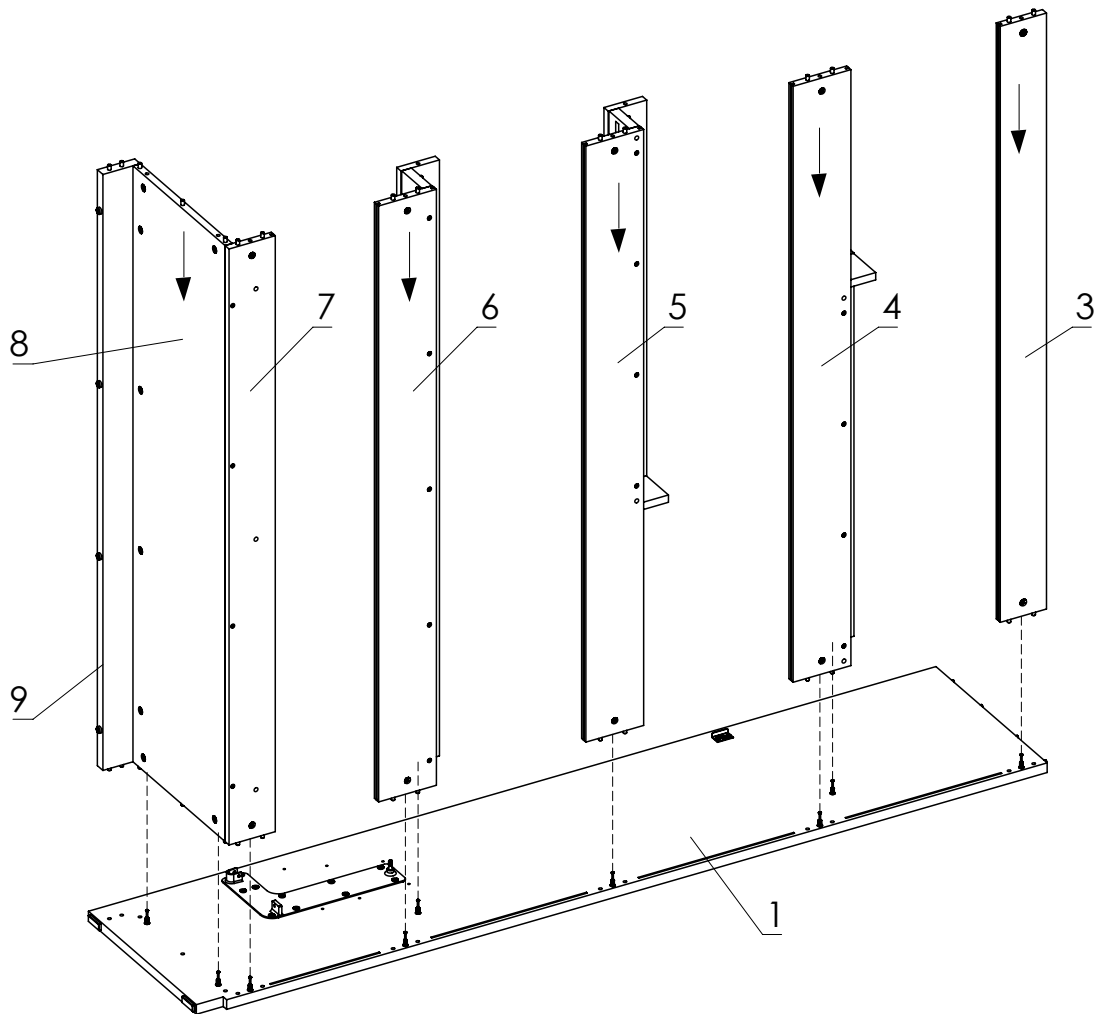
7

a)

K46 x4

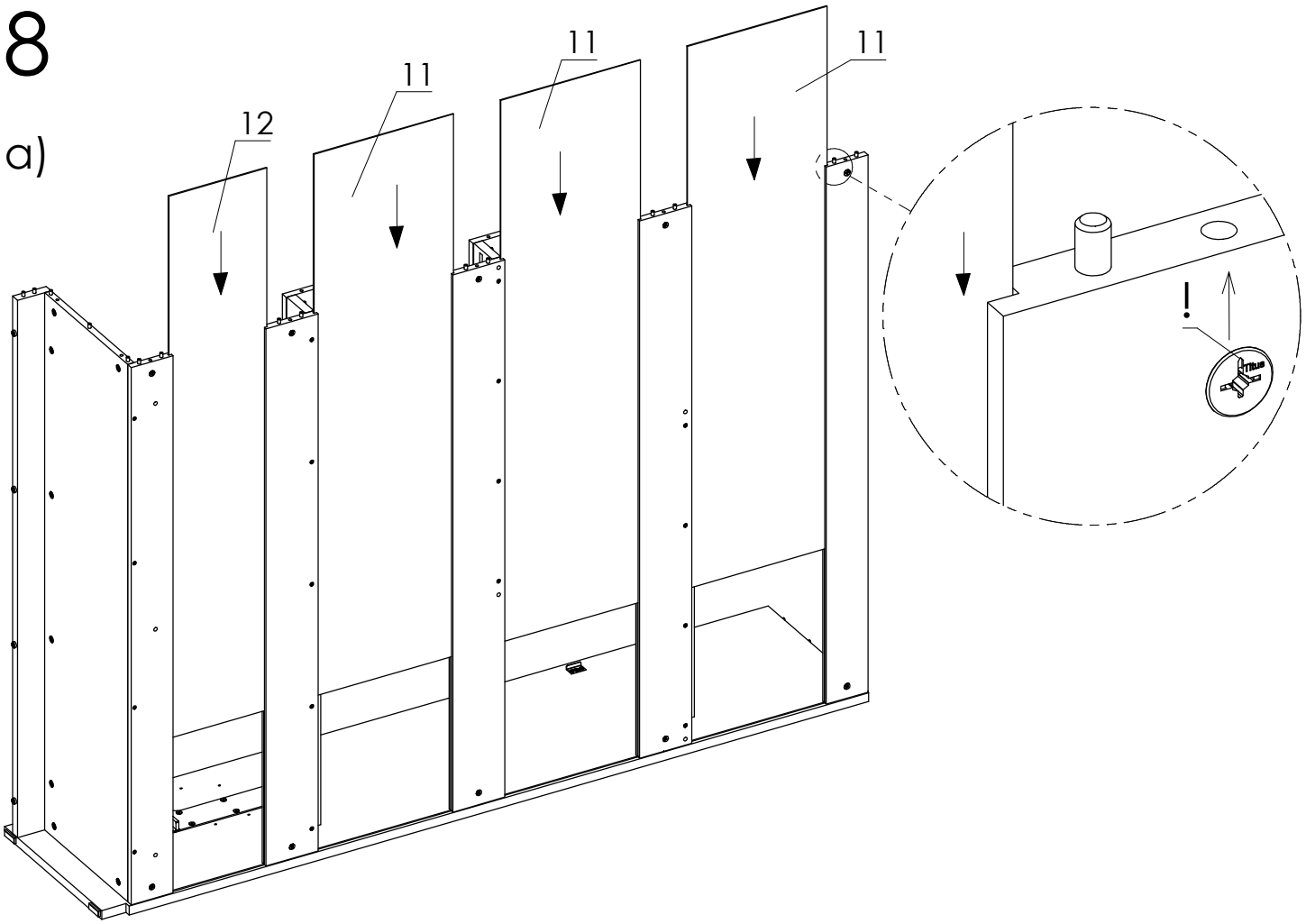


b)

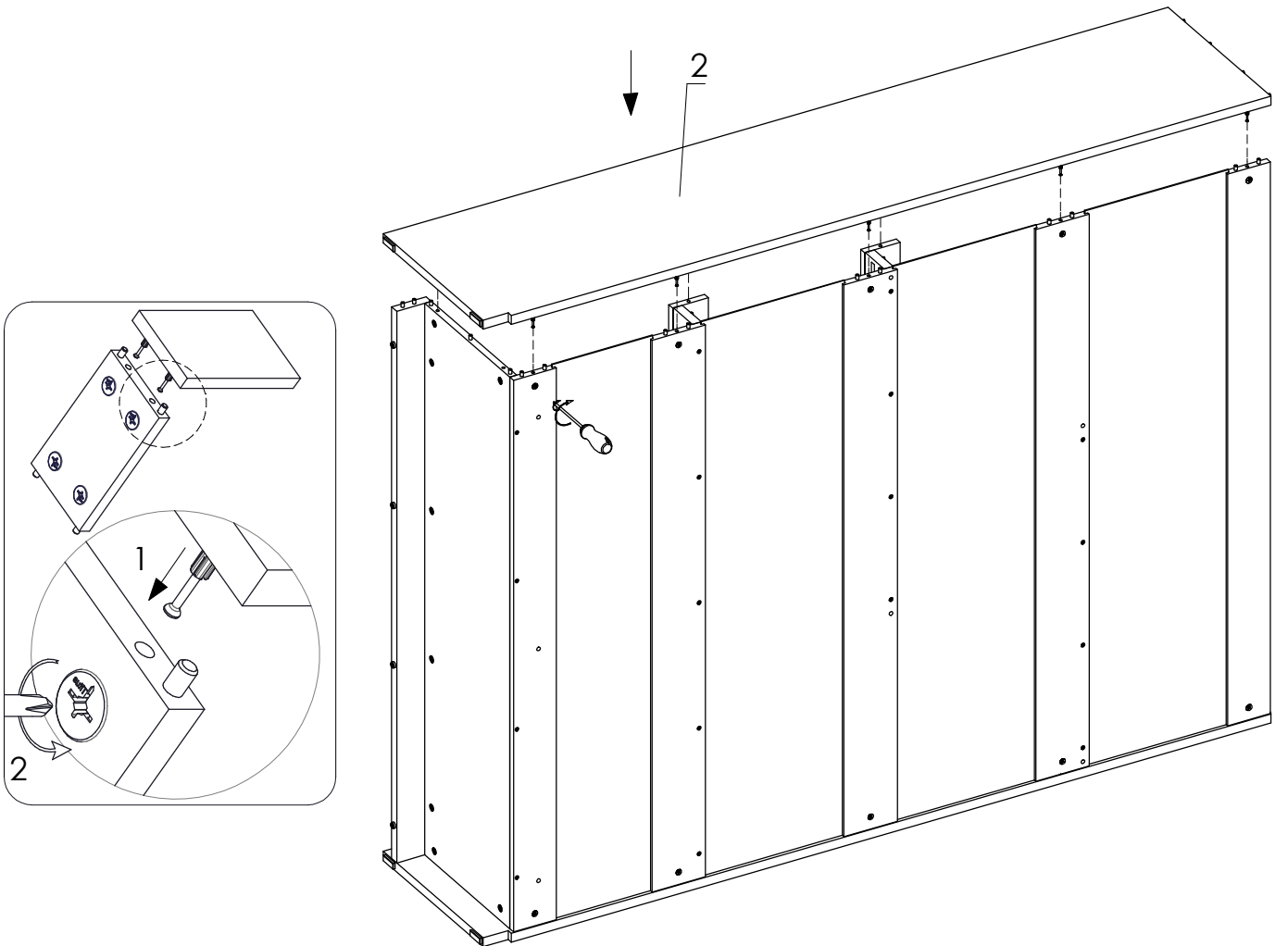


8

a)



b)



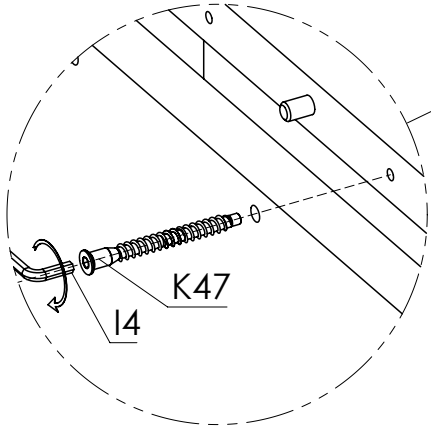
9

I4

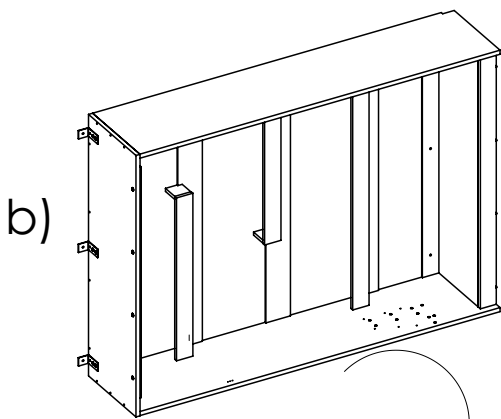


a)

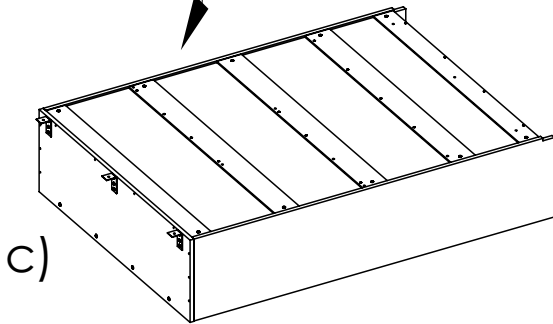
K47 x 10



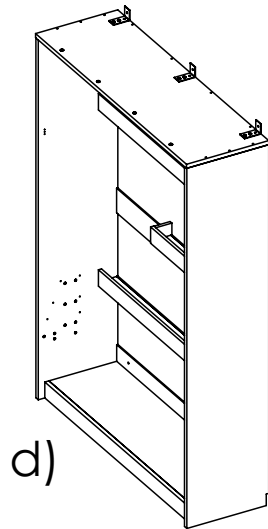
10



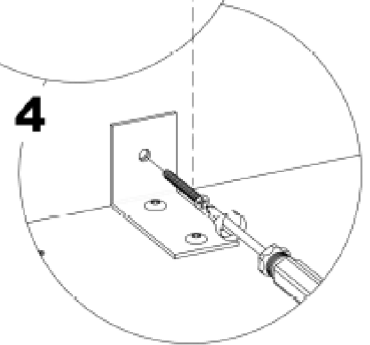
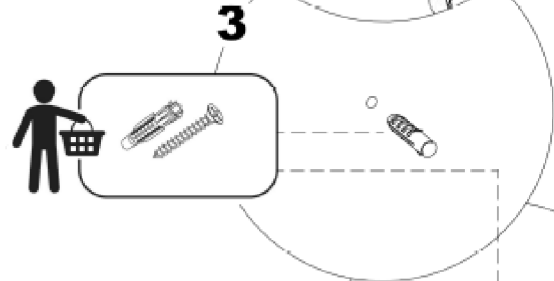
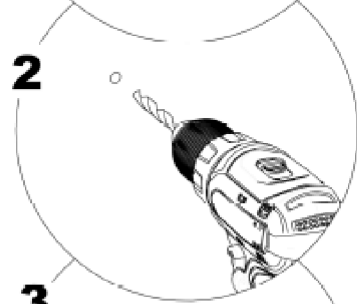
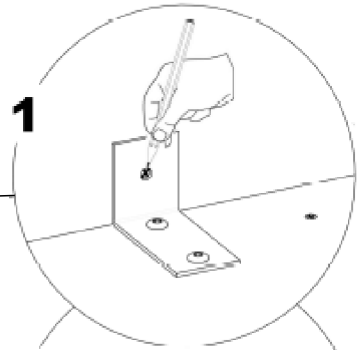
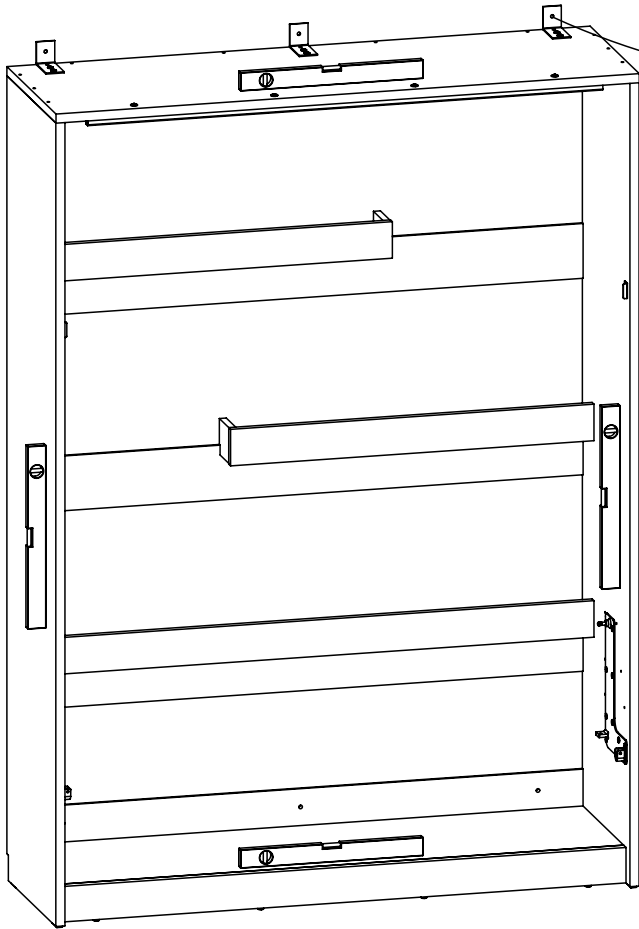
b)



c)

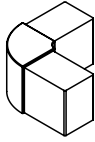


d)



11

R36.2 x4



R36.6 x8



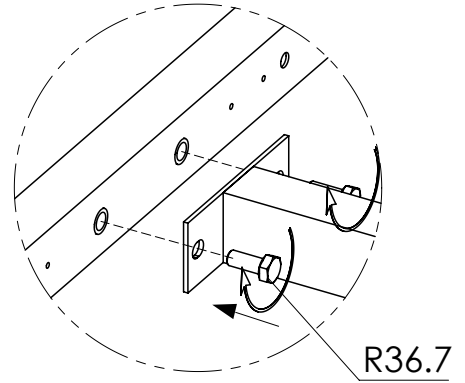
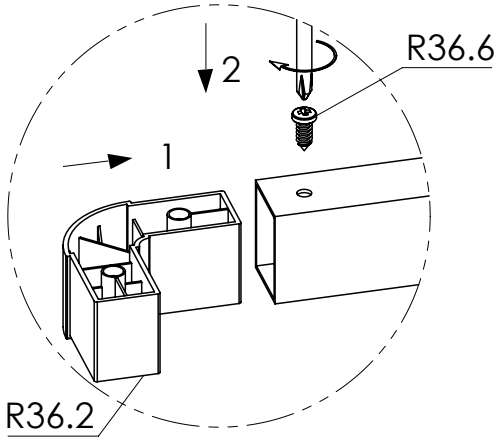
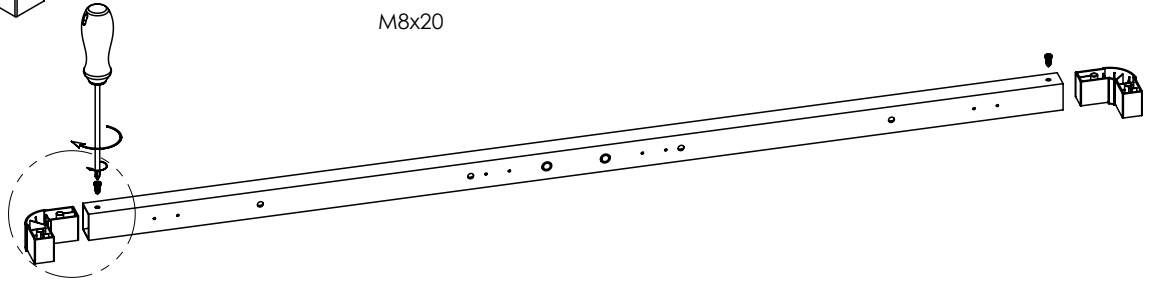
5x15

R36.7 x4

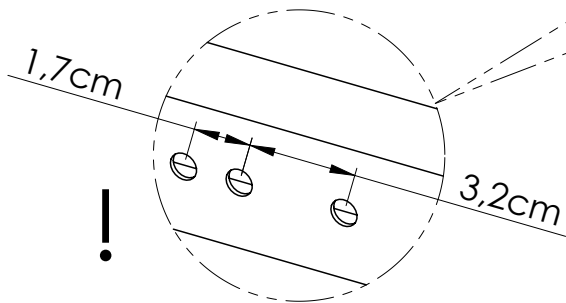
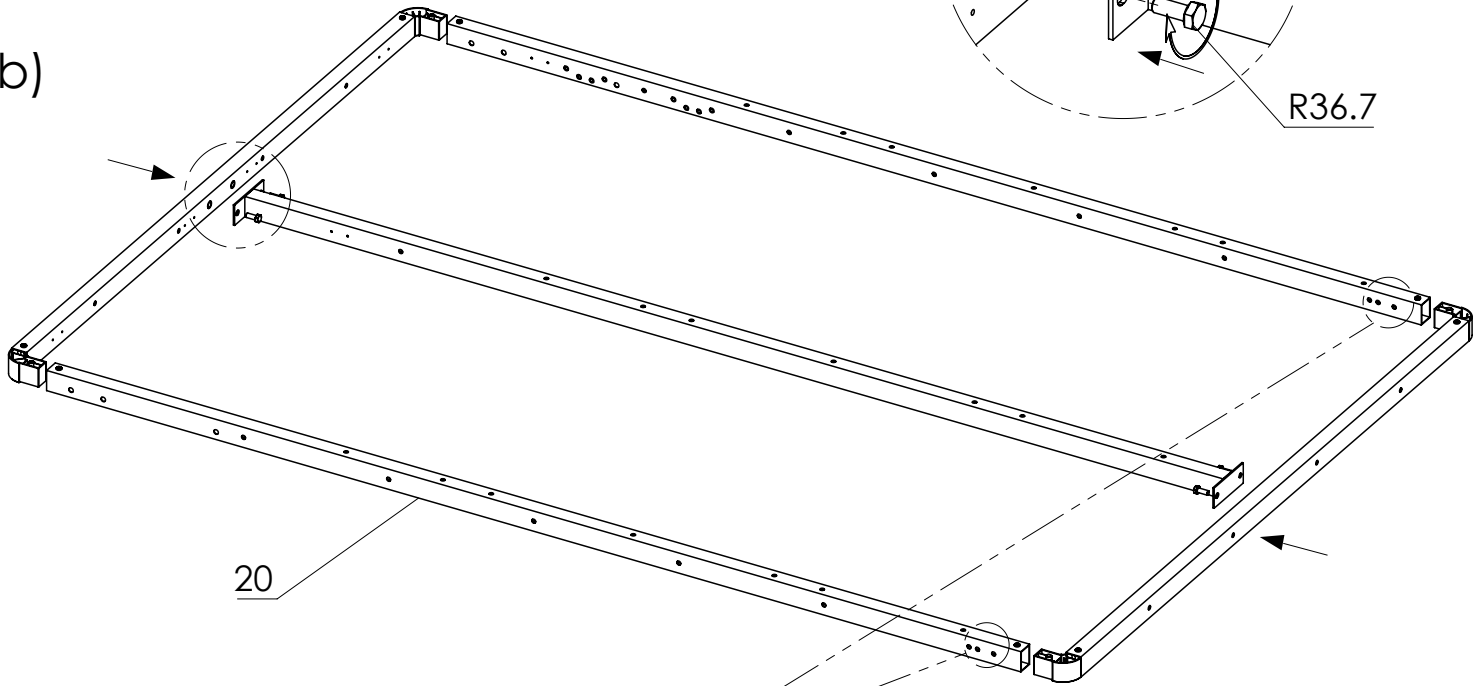


M8x20

a)



b)



12

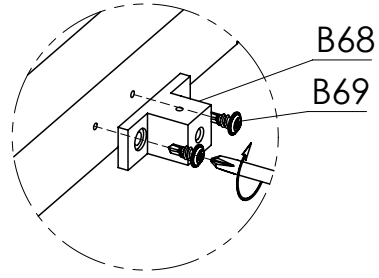
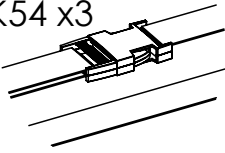
B69 x16



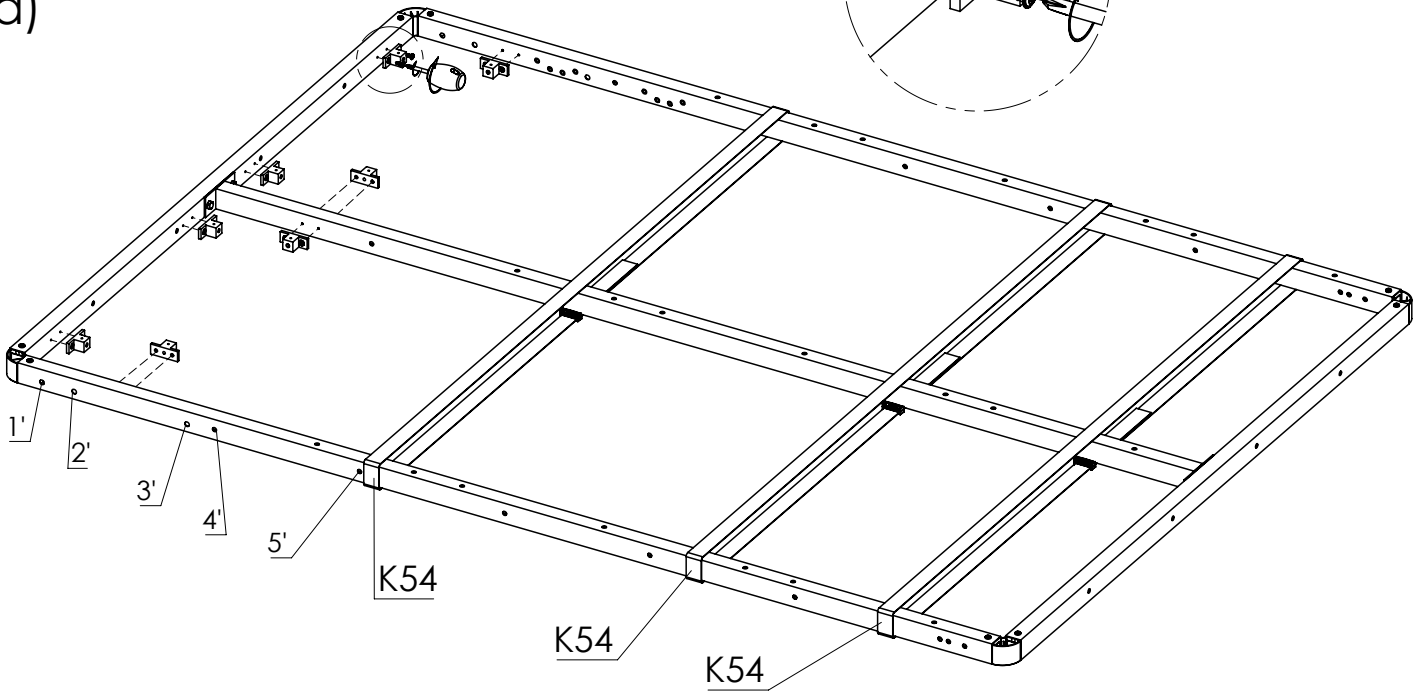
B68 x8



K54 x3

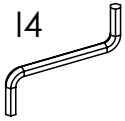


a)



b)

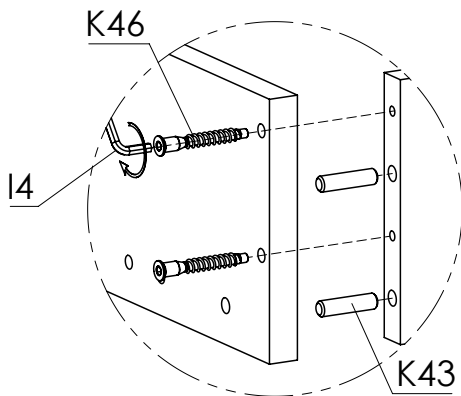
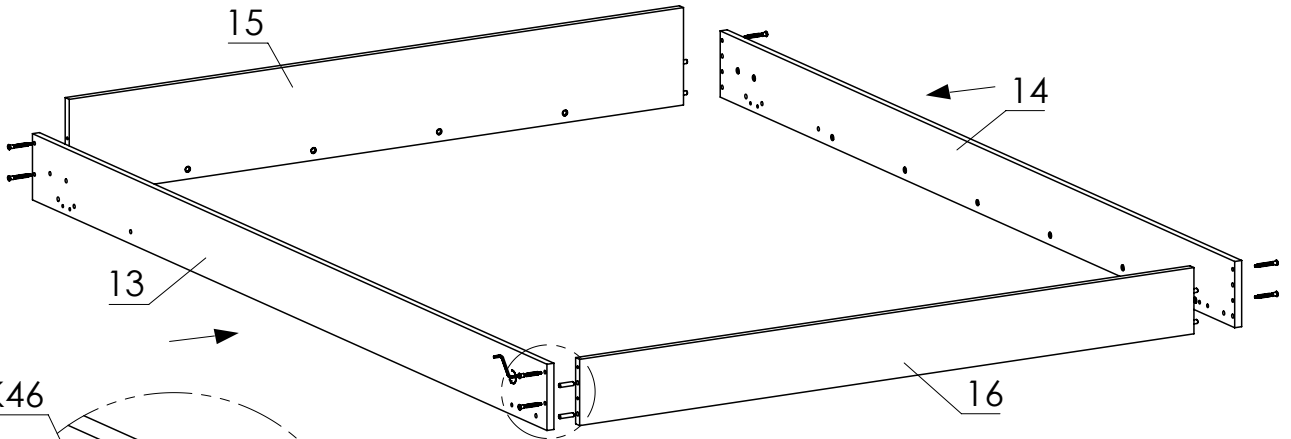
14



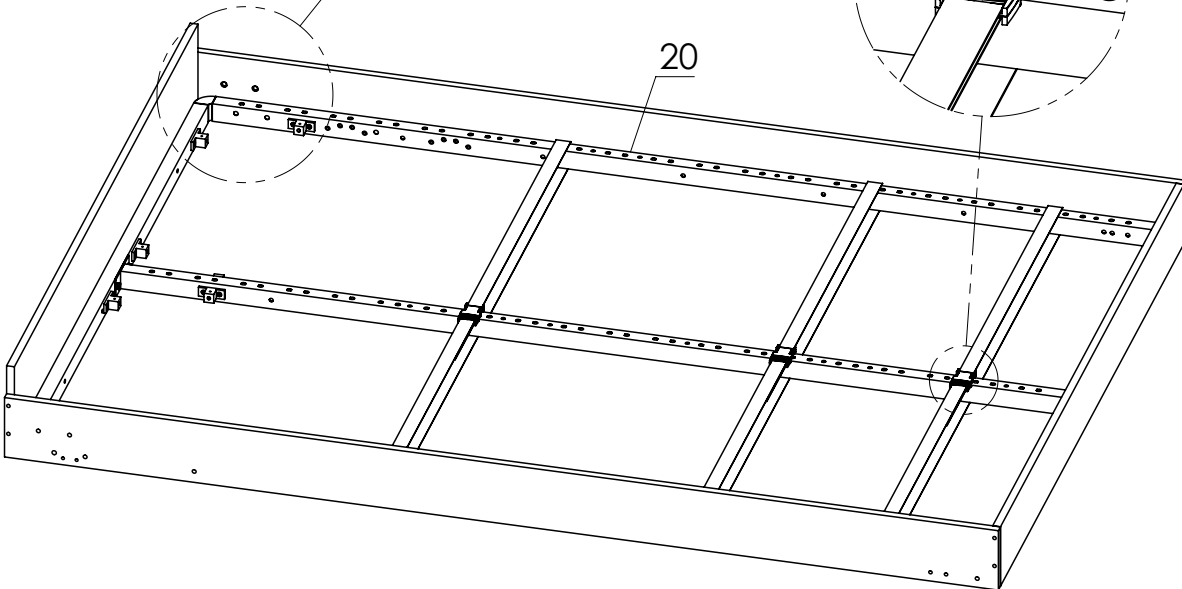
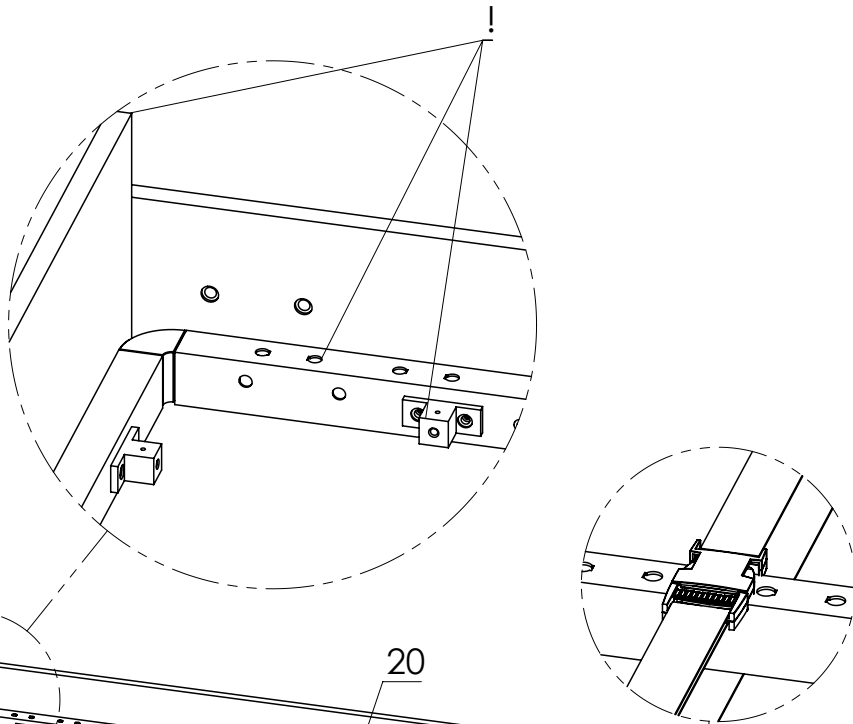
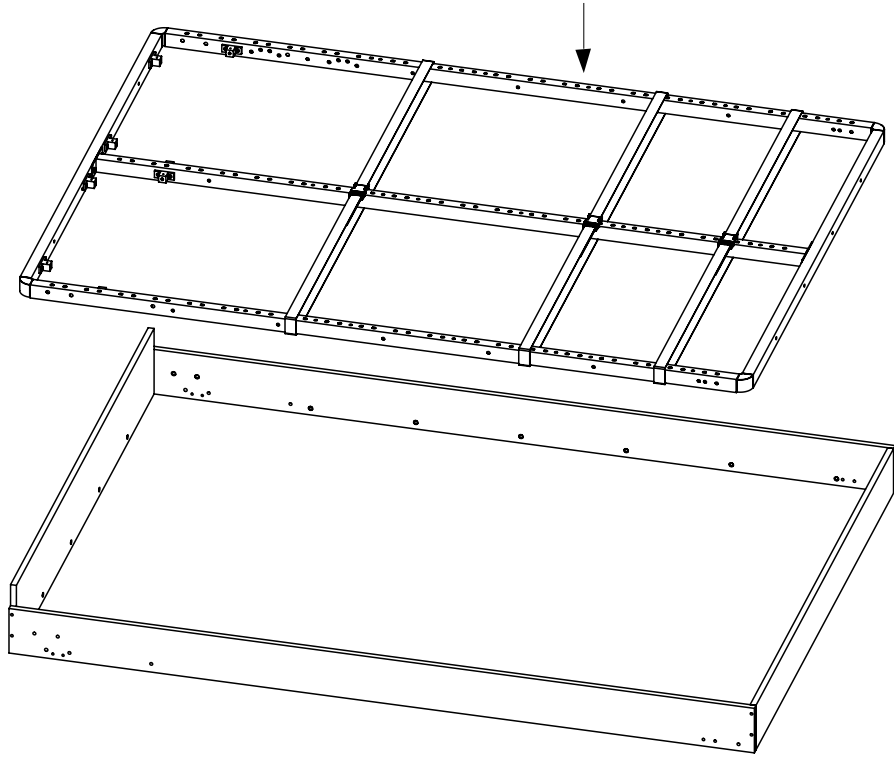
K43 x8



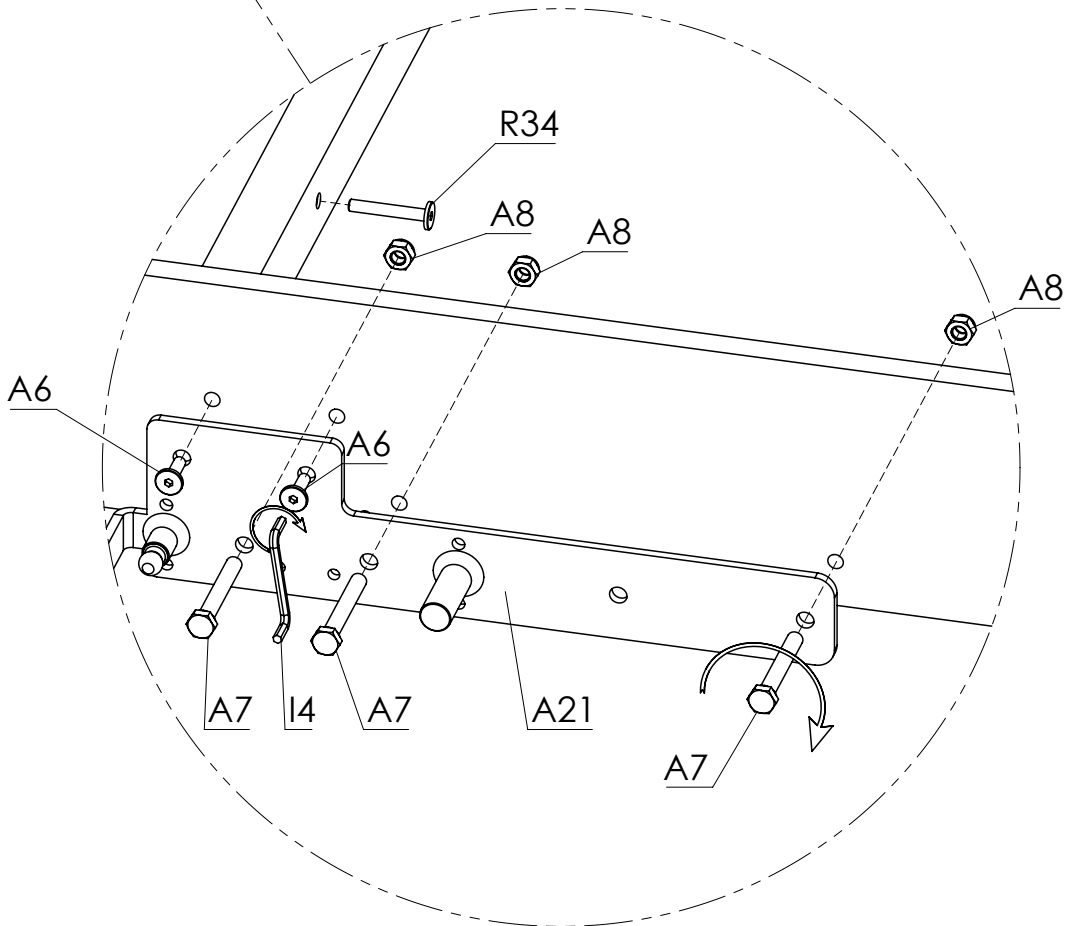
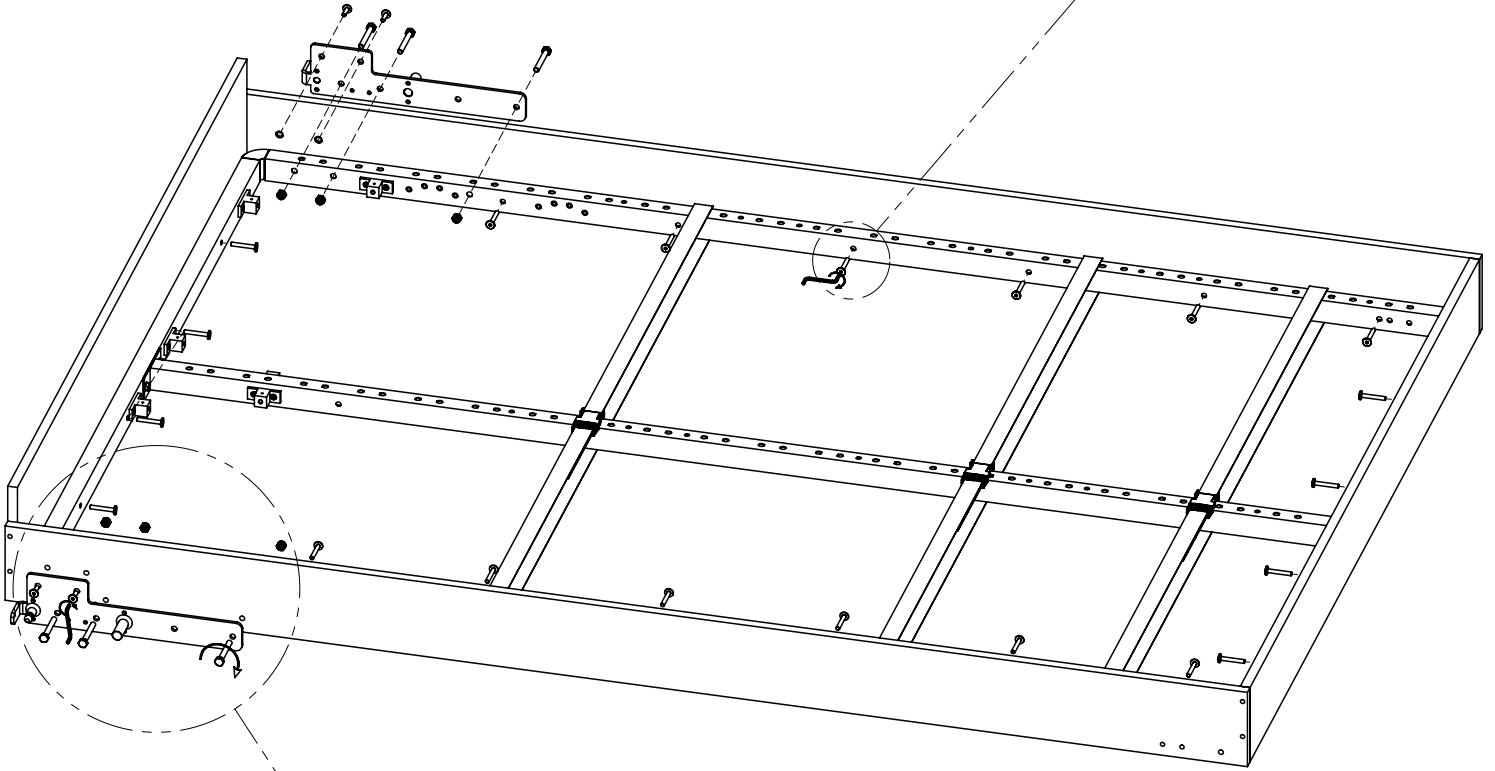
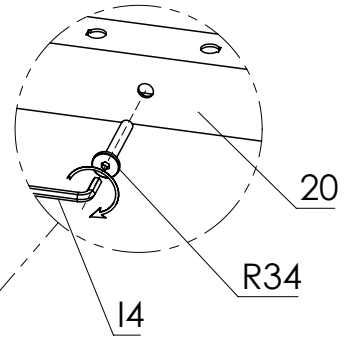
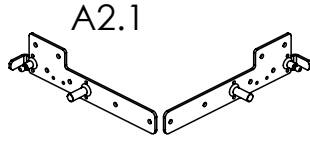
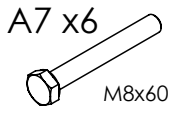
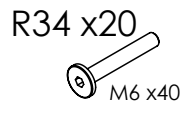
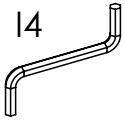
K46 x8



13



14



15

Z27 x4
M4x20

N16 x4
M6 x60

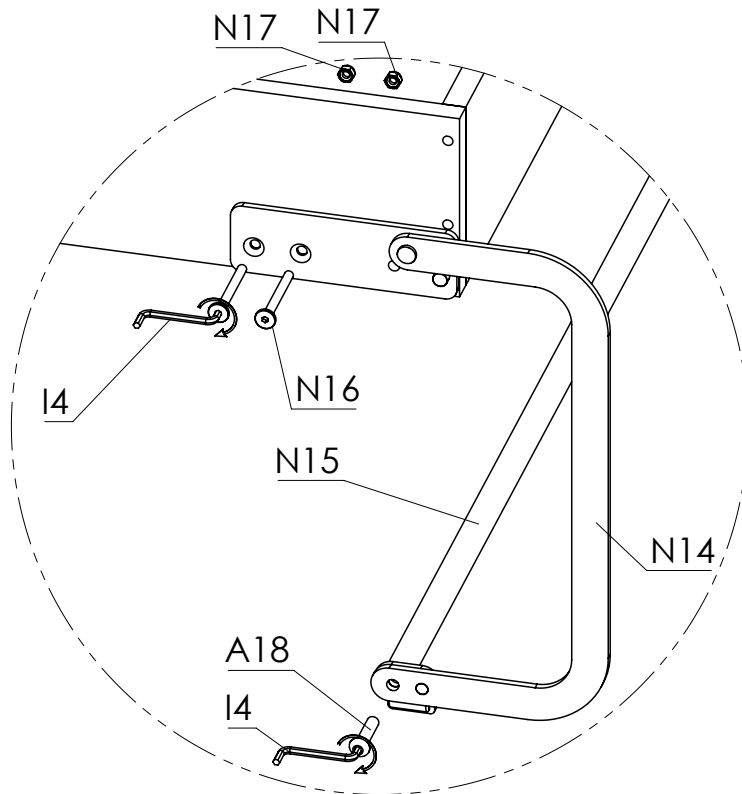
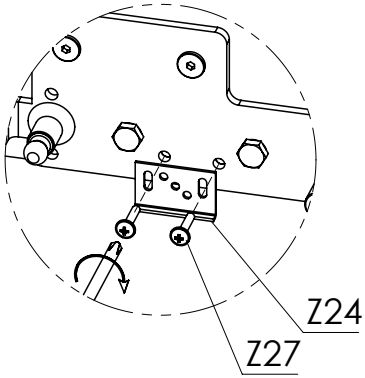
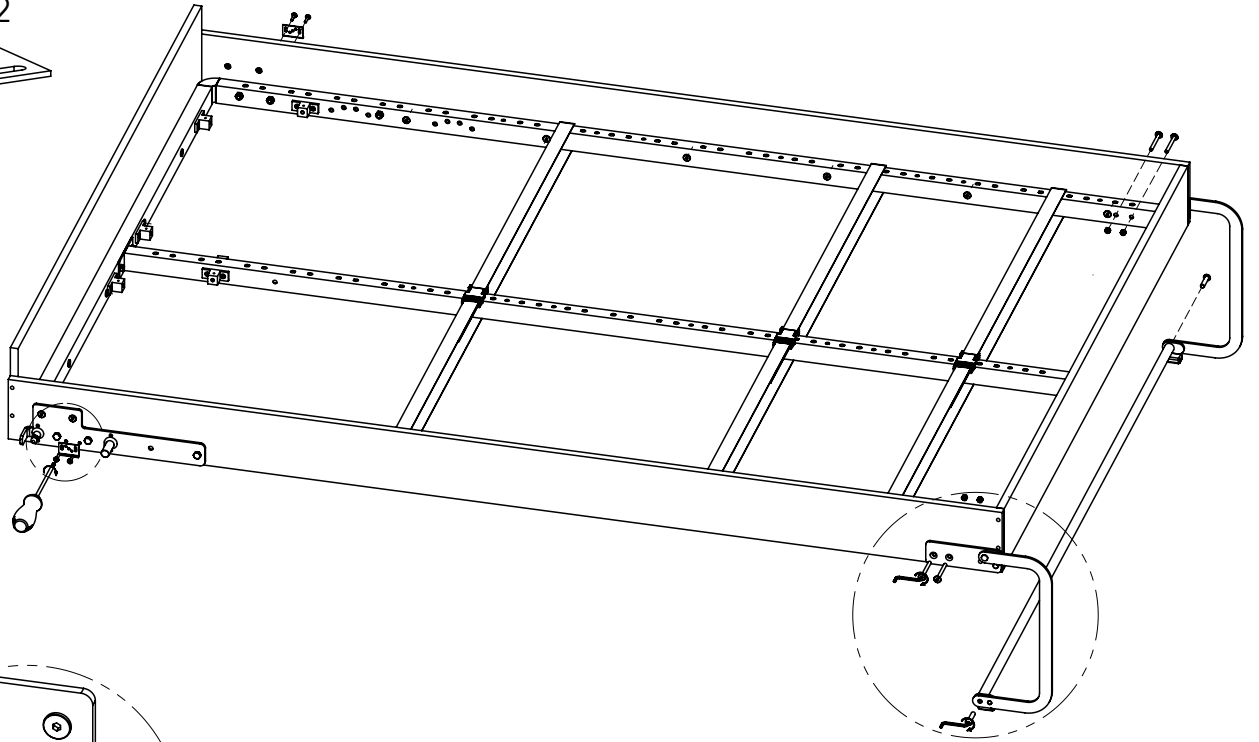
N17 x4
M6

N14

N15

A18 x2
M8x35

Z24 x2

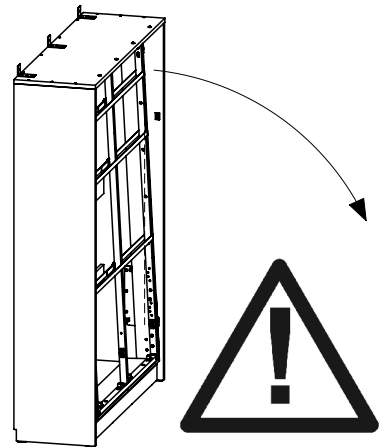
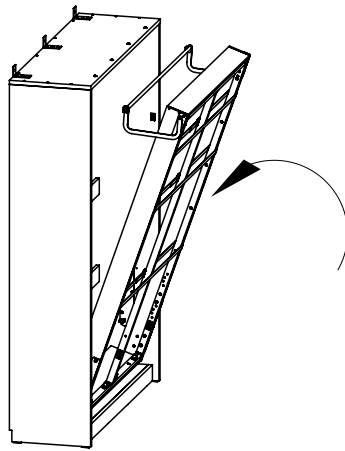
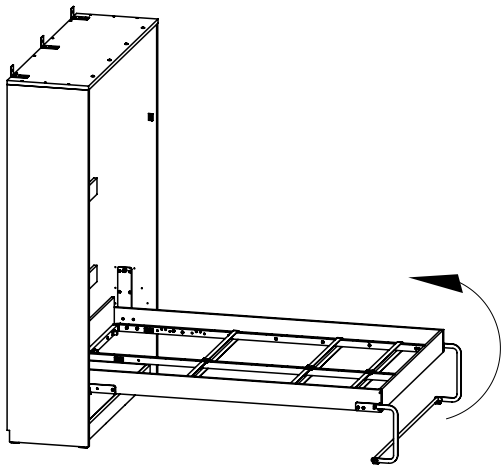
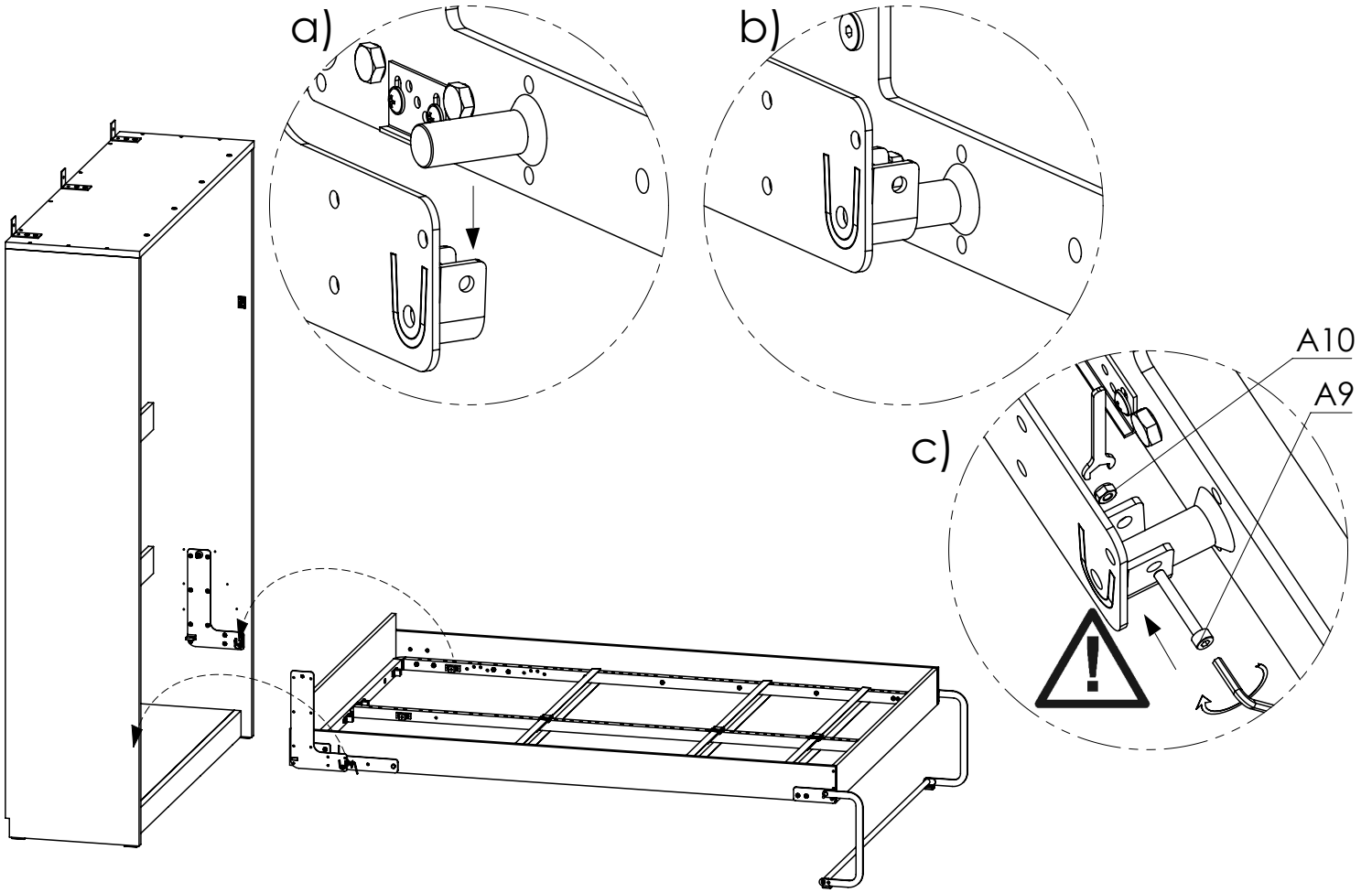


16

A9 x2
M4x30

A10 x2
M4

I3



17

B57

B60 x4

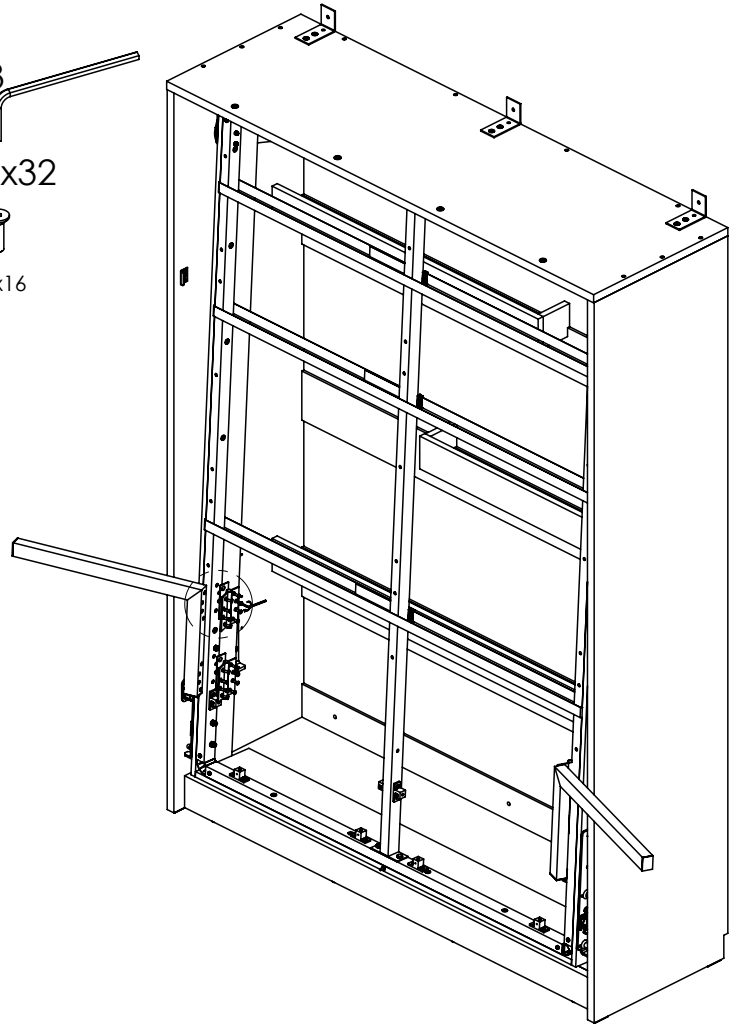
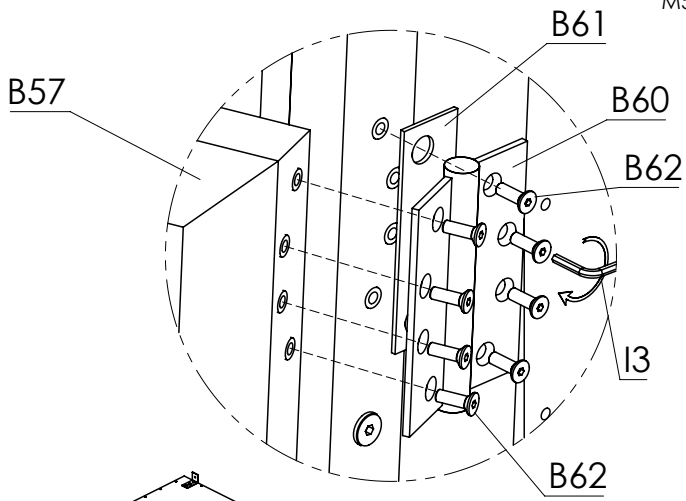
B61 x4

I3

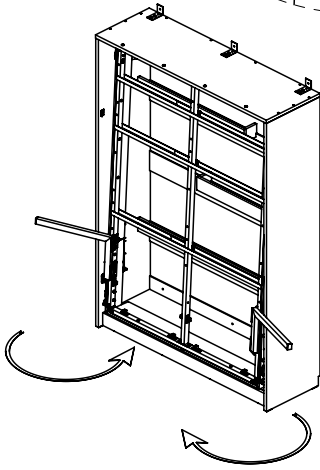
B62 x32

M5x16

a)



b)



c)

B66 x1
M8 x 70

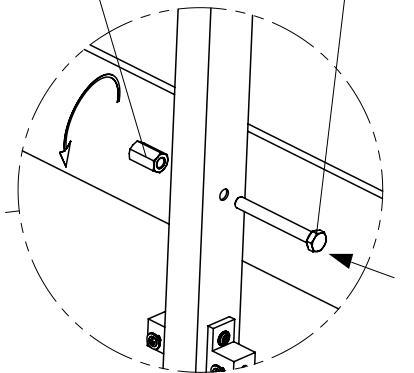
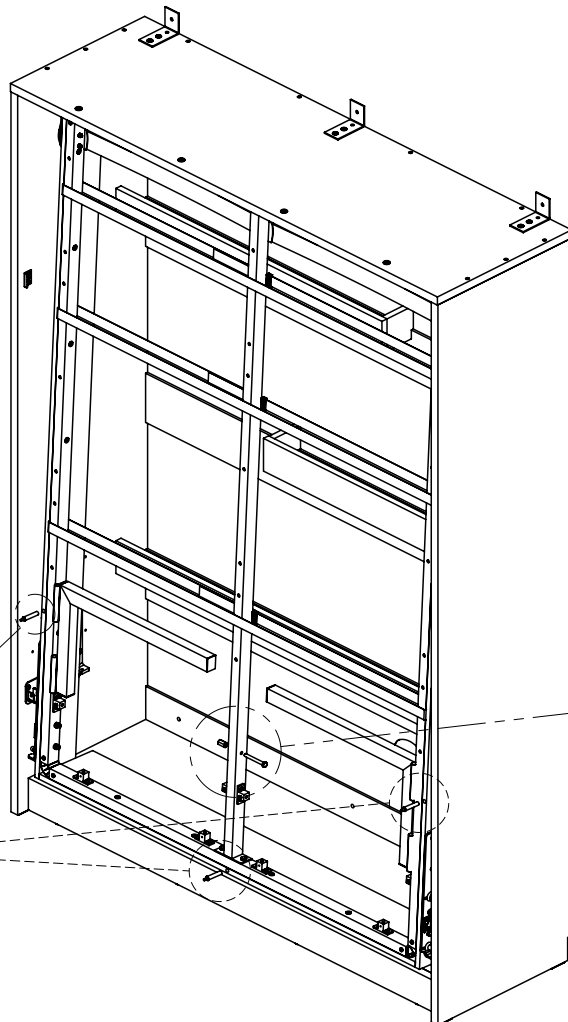
B67
M8

B59 x3

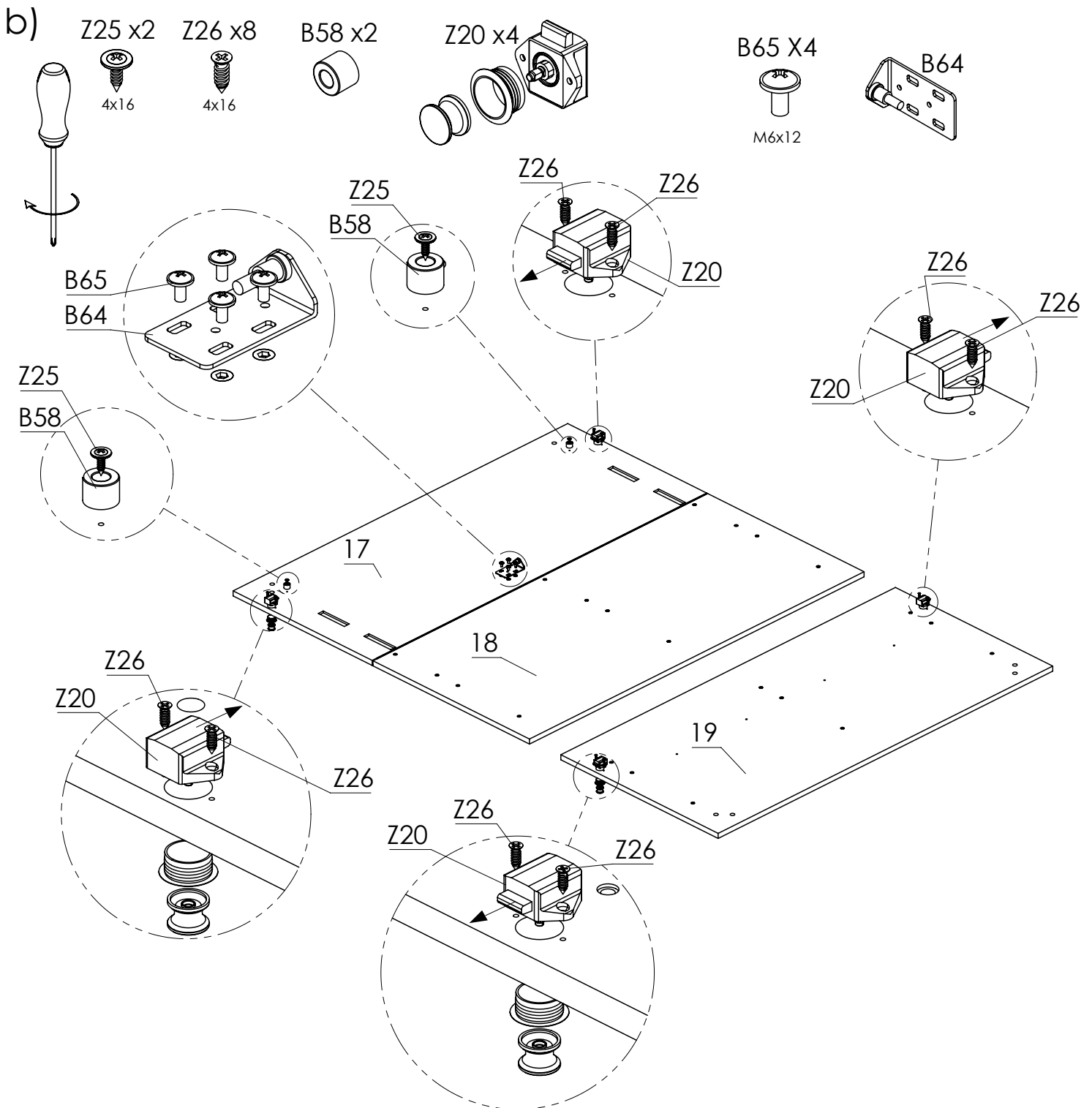
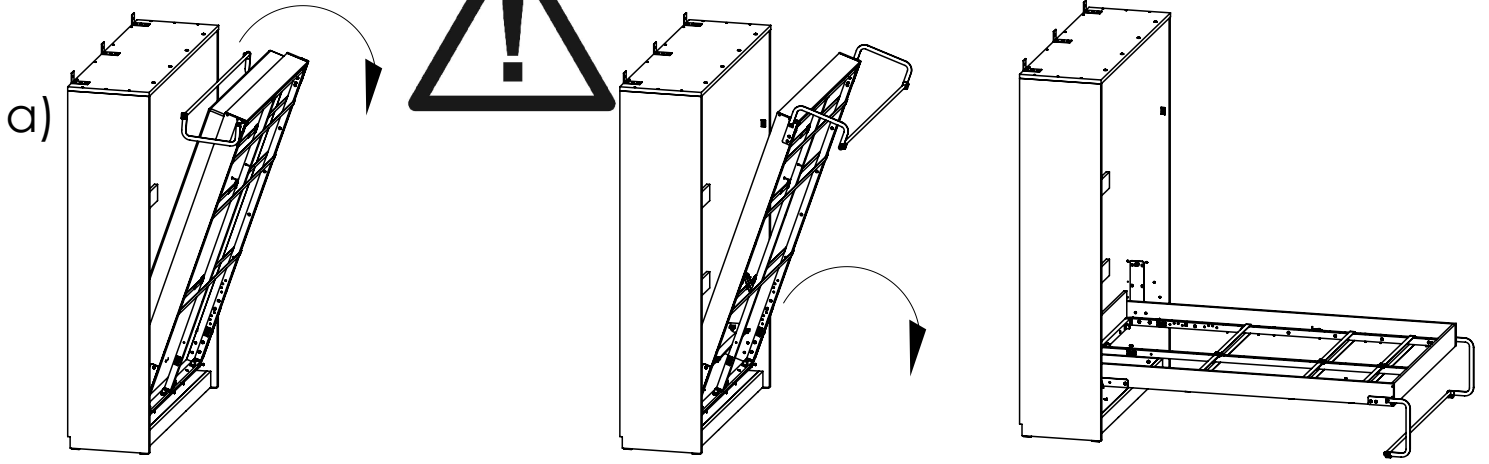
B67

B66

B59

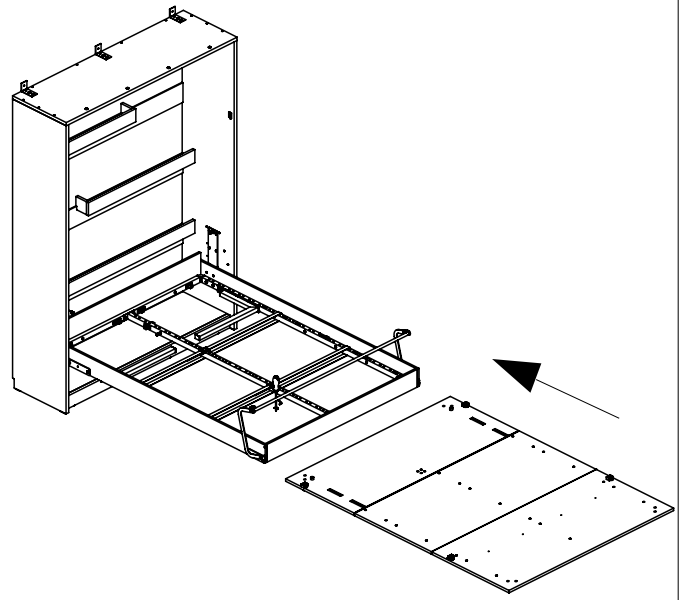


18

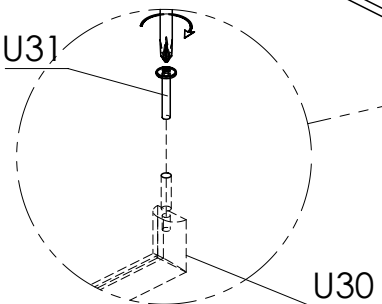
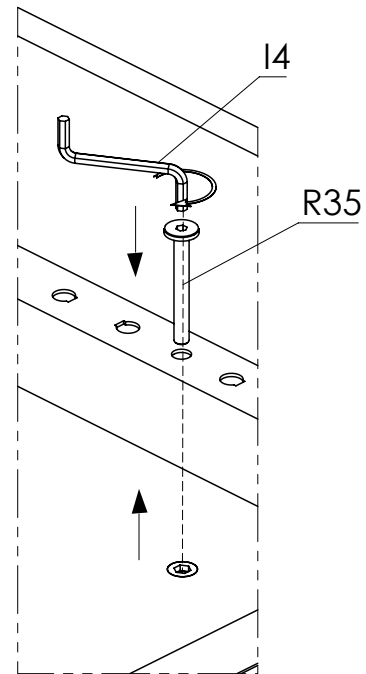
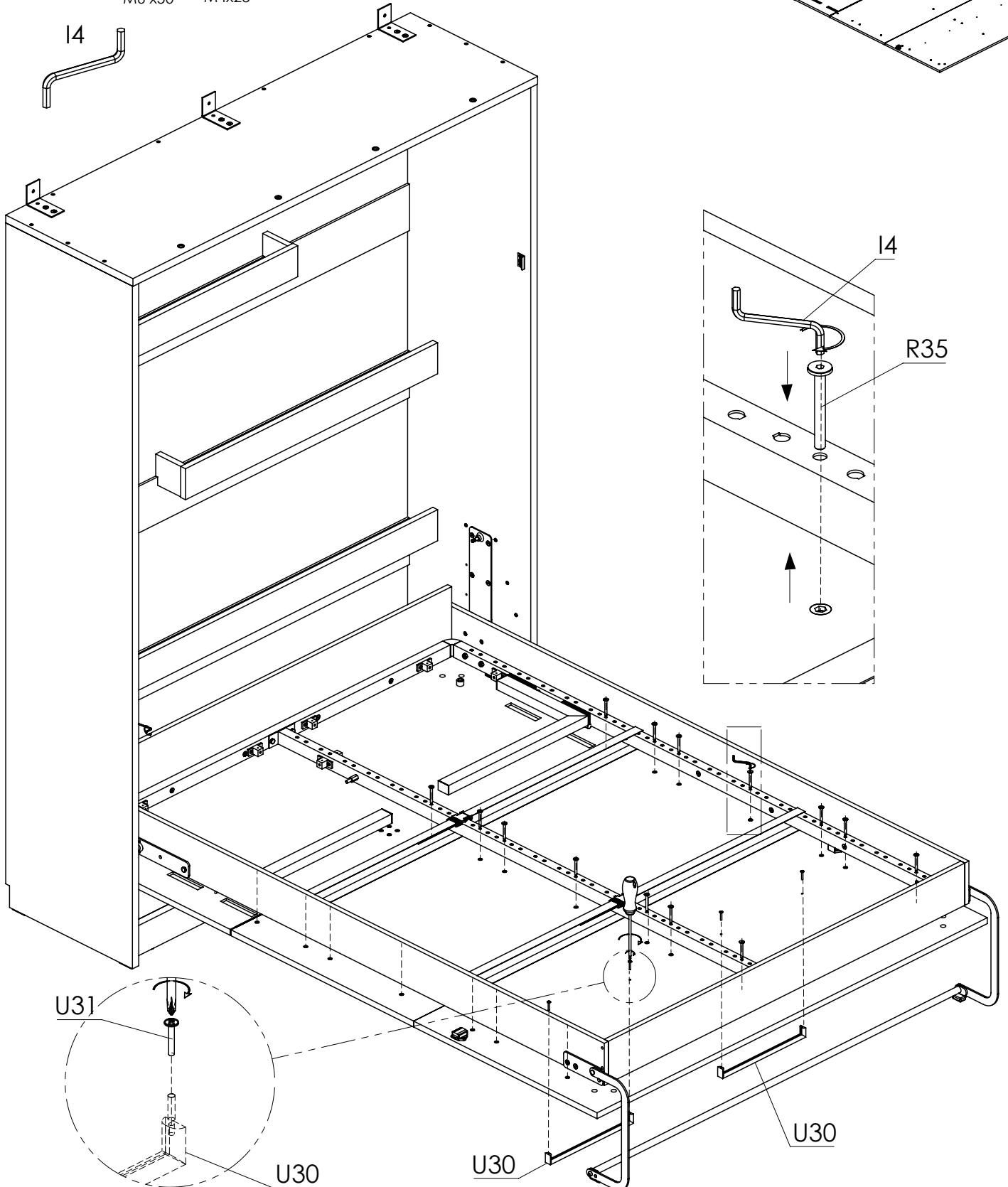
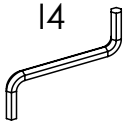


19

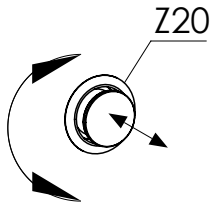
a)



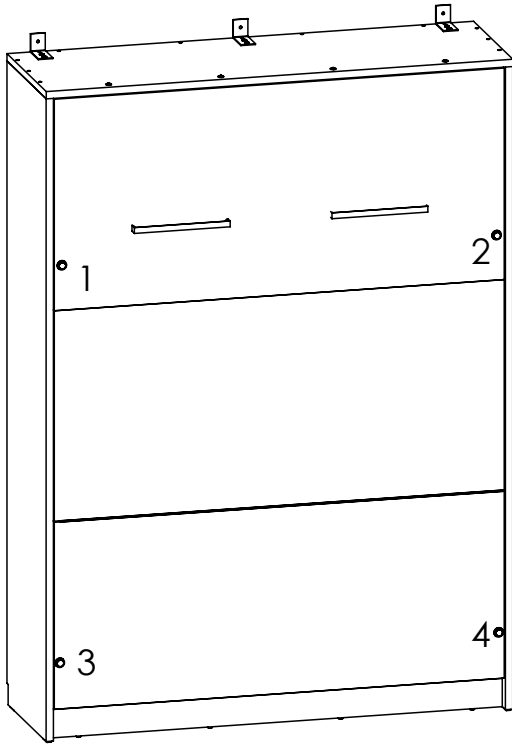
- b) R35 x21 U31 x4 U30 x2
M6 x50 M4x25



20

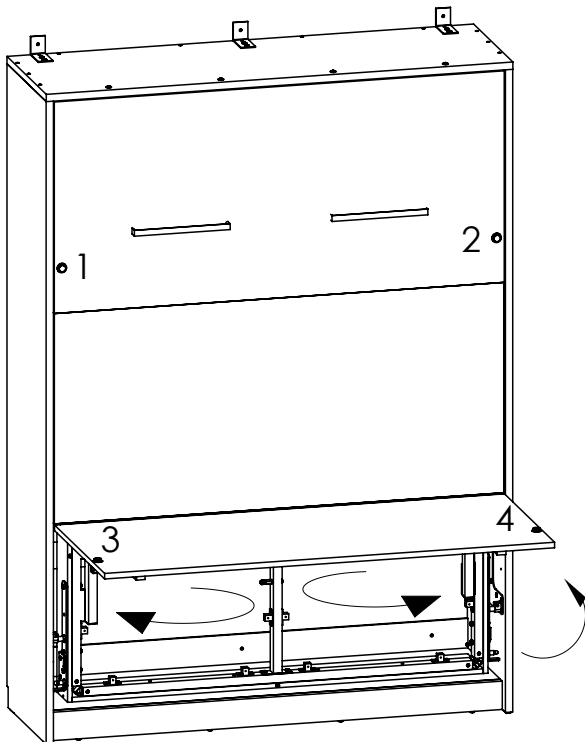


Attention - when closing the lock, you will hear a click (you can set its extension by turning it.)



Note on closing - after each closing of the bed base, lock 1 and 2 must be closed. When grabbing the handle, make sure that the bed base is closed.

Note on opening - before each opening of the bed base, make sure that lock 3 and 4 are closed, then open lock 1 and 2.



Note on desk opening - open lock 3 and 4, lift the front, and place legs B57.

21

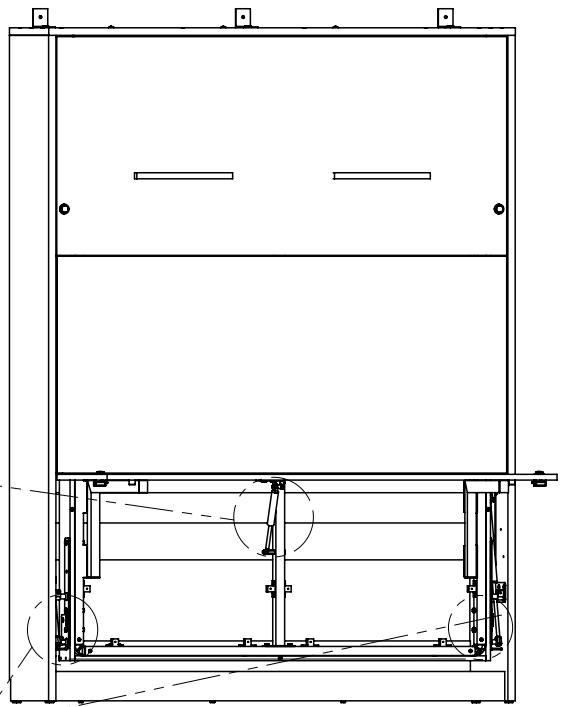
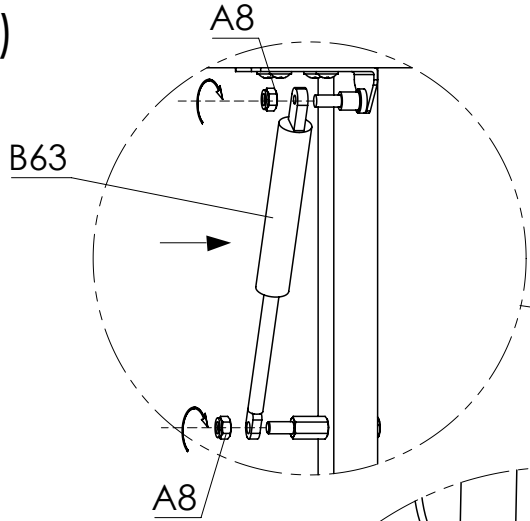
A3 x2

B63

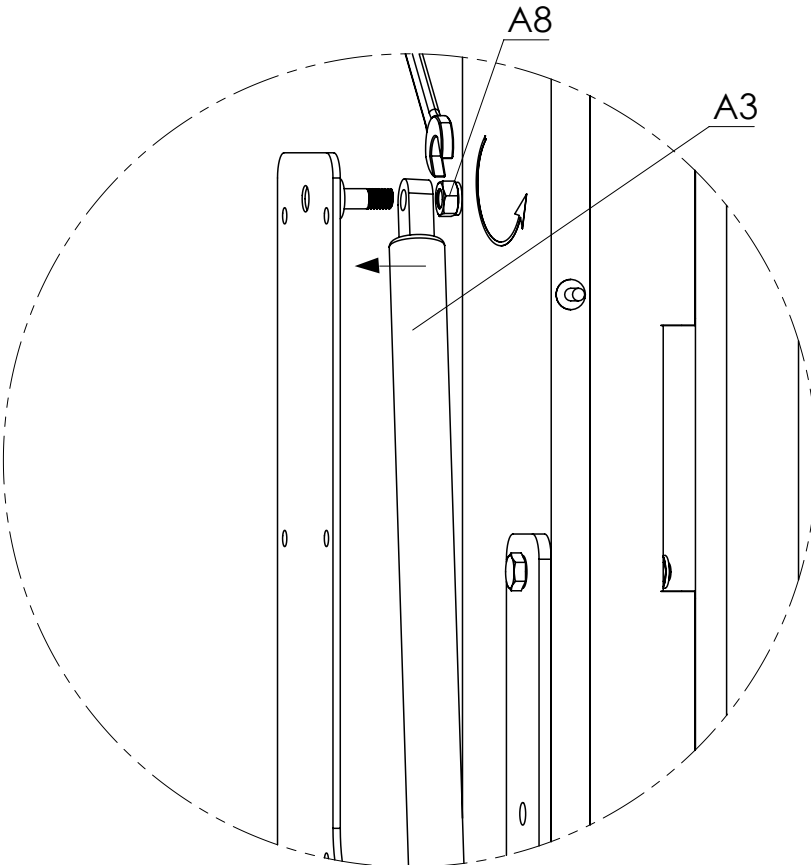
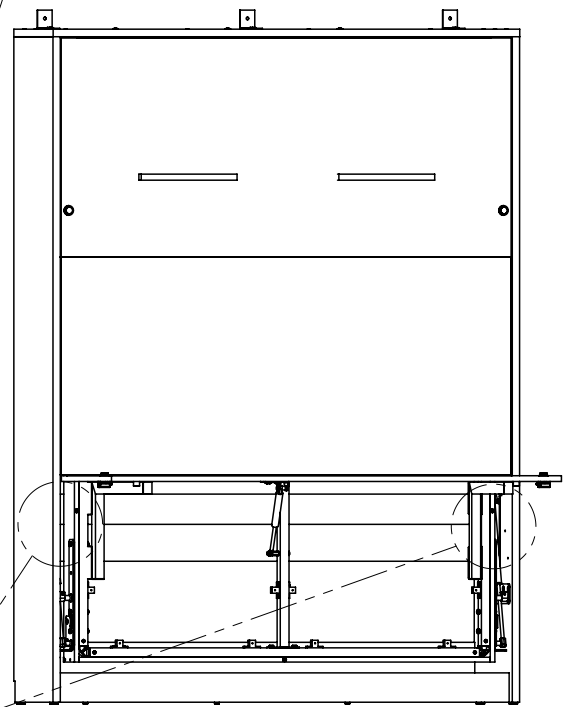
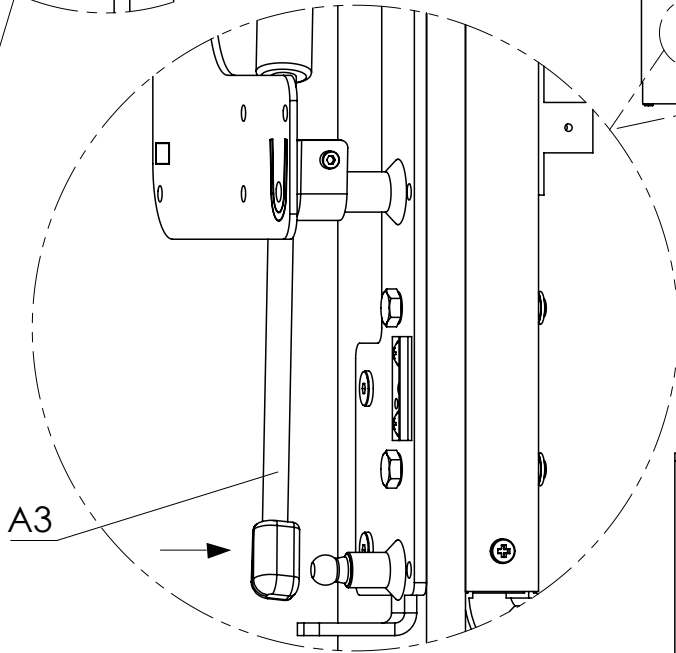
A8 x4

M8

a)

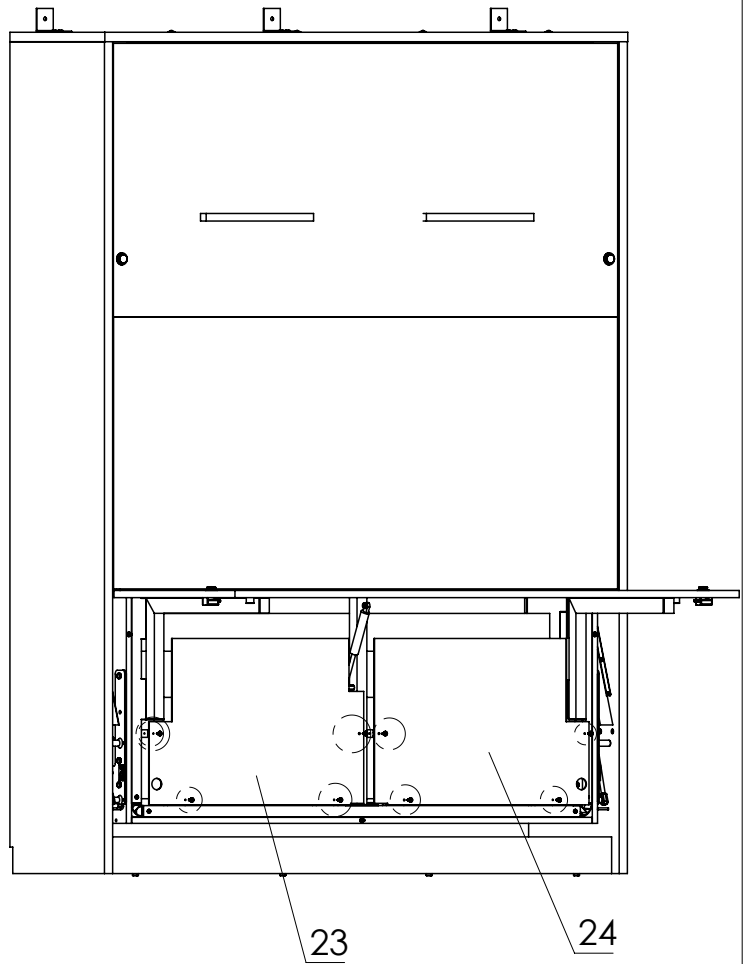
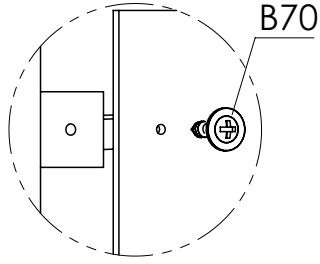


b)



22

a) B70 x 8
4x20



b) R36.5 x 40
A11 x 12
A4
R36.3 x 40
R36.4 x 20

